

## Coaxial Circulator 4.4 ~ 7.2GHz

### Application

- ▶ RF power amplifier protection.
- ▶ Digital, Satellite, Mobile Communication.
- ▶ Medical, Communication, Security.
- ▶ Military, Space and Commercial applications.

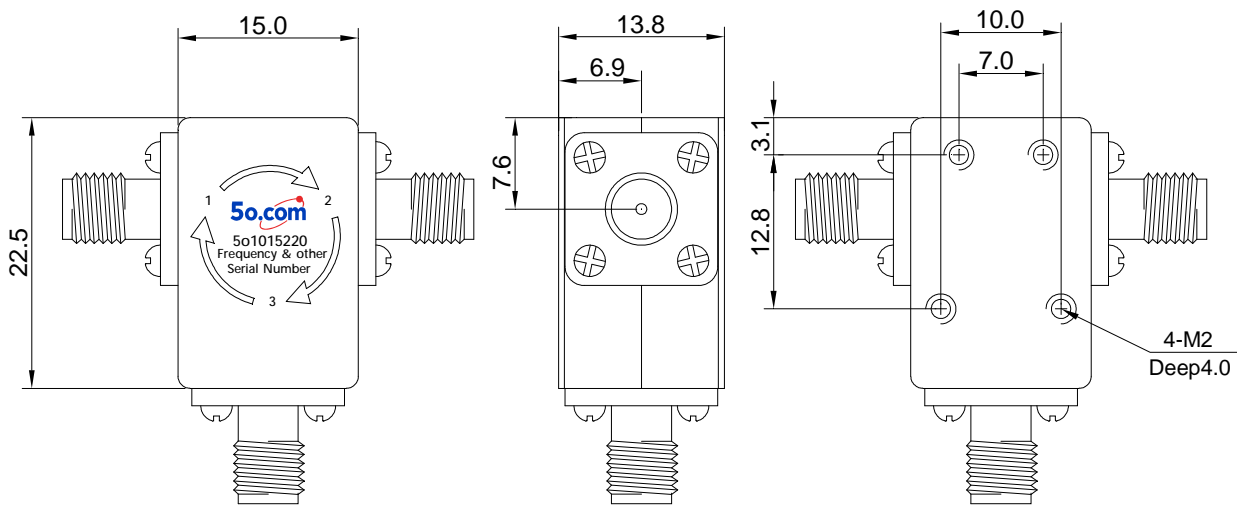
### RF Characteristics

Part Number	Frequency Range (MHz)	Isolation Min(dB)	VSWR Max	Insertion Loss Max(dB)	Connector Type	Temp.(°C)
5o1015220445SK	4.4 ~ 5.0	18	1.3	0.4	SMA Female	-40 ~ +85
5o10152204555NK	4.5 ~ 5.5	18	1.3	0.5	N Female	-40 ~ +85
5o10152204752SK	4.7 ~ 5.2	23	1.2	0.35	SMA Female	-40 ~ +85
5o1015220555SK	5.0 ~ 5.5	23	1.2	0.3	SMA Female	-40 ~ +85
5o101522056SK	5.0 ~ 6.0	20	1.25	0.4	SMA Female	-40 ~ +85
5o101522056NK	5.0 ~ 6.0	18	1.3	0.5	N Female	-40 ~ +85
5o101522057SK	5.0 ~ 7.0	18	1.3	0.5	SMA Female	-40 ~ +85
5o101522051585SK	5.1 ~ 5.85	23	1.2	0.35	SMA Female	-40 ~ +85
5o1015220556SK	5.5 ~ 6.0	23	1.2	0.3	SMA Female	-40 ~ +85
5o1015220565715SK	5.65 ~ 7.15	18	1.35	0.5	SMA Female	-40 ~ +85
5o10152205759SK	5.7 ~ 5.9	23	1.2	0.3	SMA Female	-40 ~ +85
5o10152205872SK	5.8 ~ 7.2	23	1.2	0.3	SMA Female	-40 ~ +85

### Basic Specifications

<b>Dimension</b>	15*22.5*13.8 mm
<b>Forward Power</b>	60W
<b>Reverse Power</b>	60W
<b>Connector Type</b>	N(Male/Female), SMA(Male/Female)
<b>Storage Temperature</b>	-55°C~+125°C
<b>Impedance</b>	50Ω

## Overall Dimension(mm)



## Instructions

Tolerances:  $\pm 2\%$  unless otherwise stated.

- ◆ It can be dual junction or multiple for high isolation.
- ◆ The connector can be selected according to requirements, Connect type (SMA Male/Female, N Male/ Female, etc.)
- ◆ Only some common frequencies in the table can be produced according to the user's requirements.
- ◆ It supports a one-year standard warranty.