

Coaxial Circulator 22.0 ~ 33.0GHz

Application

- ▶ RF power amplifier protection.
- ▶ Digital, Satellite, Mobile Communication.
- ▶ Medical, Communication, Security.
- ▶ Military, Space and Commercial applications.

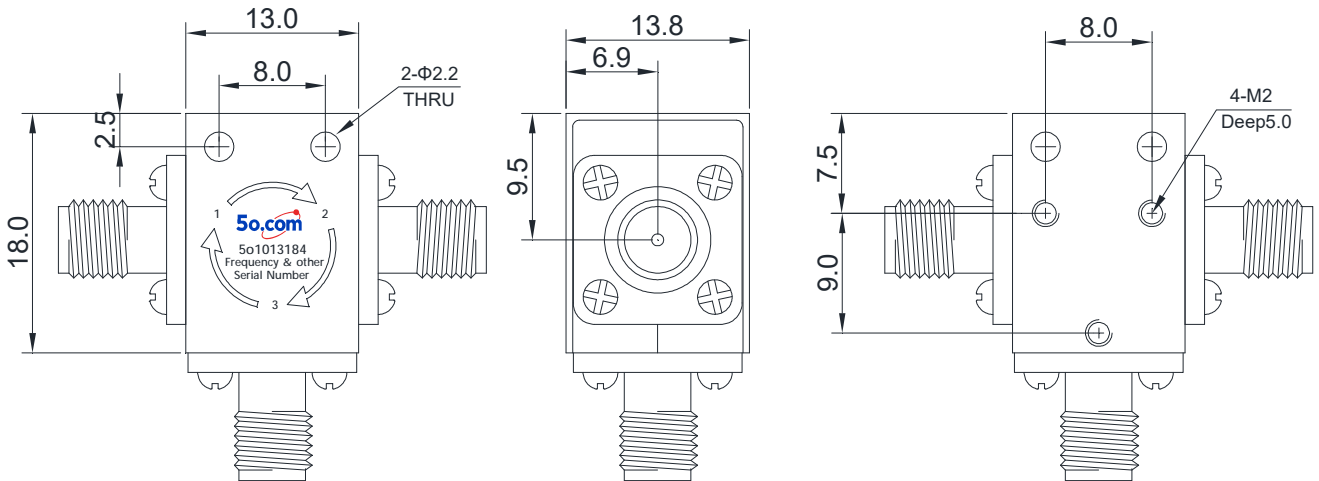
RF Characteristics

Part Number	Frequency Range (GHz)	Isolation Min(dB)	VSWR Max	Insertion Loss Max(dB)	Connector Type	Temp.(°C)
5o10131842233KK	22.0 ~ 33.0	16	1.4	0.9	2.92mm Female	+25±5
		15	1.5	1.0		-40 ~ +80
5o10131842233KJKK	22.0 ~ 33.0	16	1.4	0.9	2.92mm Male to 2.92mm Female	+25±5
		15	1.5	1.0		-40 ~ +80

Basic Specifications

Dimension	13*18*12.8mm	Impedance	50Ω
Forward Power	10W	Operating Temperature	-40 ~ +80°C
Reverse Power	10W	Storage Temperature	-55~+125°C

Overall Dimension(mm)



Instructions

Tolerances: ±2% unless otherwise stated.

- ◆ It can be dual junction or multiple for high isolation.
- ◆ The connector can be selected according to requirements, Connect type (2.92mm Male/Female, etc.)
- ◆ Only some common frequencies in the table can be produced according to the user's requirements.
- ◆ It supports a one-year standard warranty.