

Coaxial Circulator 18.0 ~ 26.5GHz

Application

- ▶ RF power amplifier protection.
- ▶ Digital, Satellite, Mobile Communication.
- ▶ Medical, Communication, Security.
- ▶ Military, Space and Commercial applications.

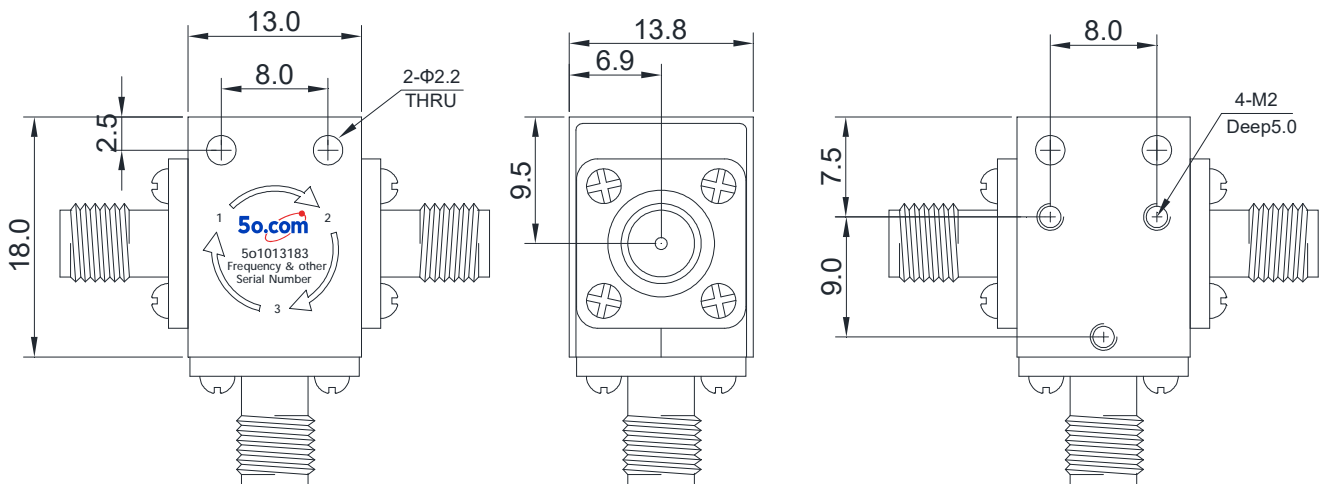
RF Characteristics

Part Number	Frequency Range (GHz)	Isolation Min(dB)	VSWR Max	Insertion Loss Max(dB)	Connector Type
5o101318318265SK	18.0 ~ 26.5	14.5	1.6	1.1	SMA Female
		14.0	1.6	1.2	

Basic Specifications

Dimension	13*18*12.8mm	Impedance	50Ω
Forward Power	10W	Operating Temperature	-40 ~ +80°C
Reverse Power	10W	Storage Temperature	-55~+125°C

Overall Dimension(mm)



Instructions

Tolerances: ±2% unless otherwise stated.

- ◆ It can be dual junction or multiple for high isolation.
- ◆ The connector can be selected according to requirements, Connect type (SMA Male/Female , etc.)
- ◆ Only some common frequencies in the table can be produced according to the user's requirements.
- ◆ It supports a one-year standard warranty.