

Coaxial Circulator 12.0 ~ 18.0GHz

Application

- ▶ RF power amplifier protection.
- ▶ Digital, Satellite, Mobile Communication.
- ▶ Medical, Communication, Security.
- ▶ Military, Space and Commercial applications.

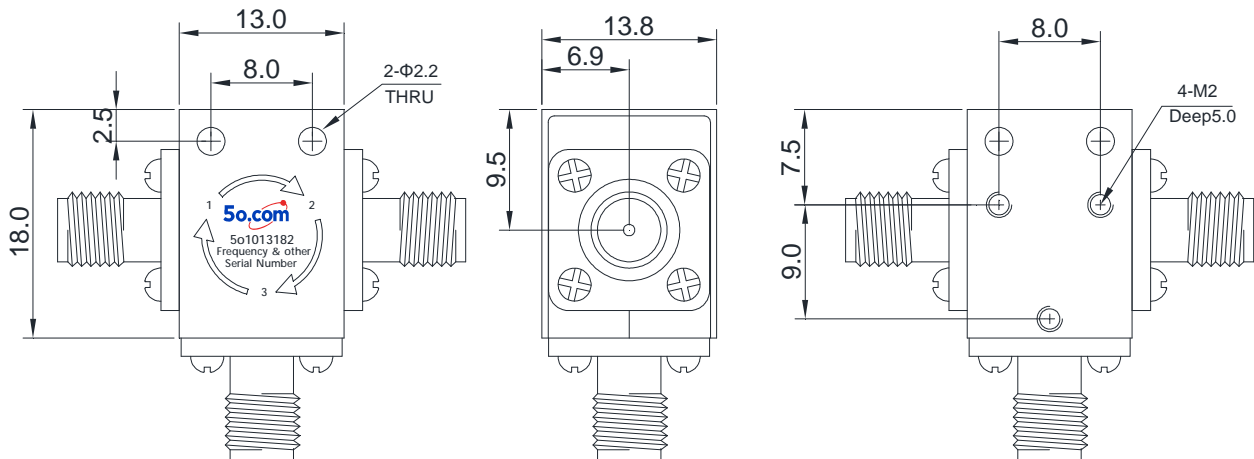
RF Characteristics

Part Number	Frequency Range (GHz)	Isolation Min(dB)	VSWR Max	Insertion Loss Max(dB)	Connector Type
5o10131821218SK	12.0 ~ 18.0	18	1.3	0.5	SMA Female
5o10131821218SJSKSK	12.0 ~ 18.0	18	1.3	0.5	SMA Male to SMA Female to SMA Female
5o10131821218SKSJSK	12.0 ~ 18.0	18	1.3	0.5	SMA Female to SMA Male to SMA Female

Basic Specifications

Dimension	13*18*13.8mm	Impedance	50Ω
Forward Power	60W	Operating Temperature	-55 ~ +85°C
Reverse Power	60W	Storage Temperature	-55~+125°C

Overall Dimension(mm)



Instructions

Tolerances: ±2% unless otherwise stated.

- ◆ It can be dual junction or multiple for high isolation.
- ◆ The connector can be selected according to requirements, Connect type (SMA Male/ Female, 2.92mm Male/ Female etc.)
- ◆ Only some common frequencies in the table can be produced according to the user's requirements.
- ◆ It supports a one-year standard warranty.