

# Coaxial Circulator 6.0 ~ 40.0GHz

## Application

- ▶ RF power amplifier protection.
- ▶ Digital, Satellite, Mobile Communication.
- ▶ Medical, Communication, Security.
- ▶ Military, Space and Commercial applications.

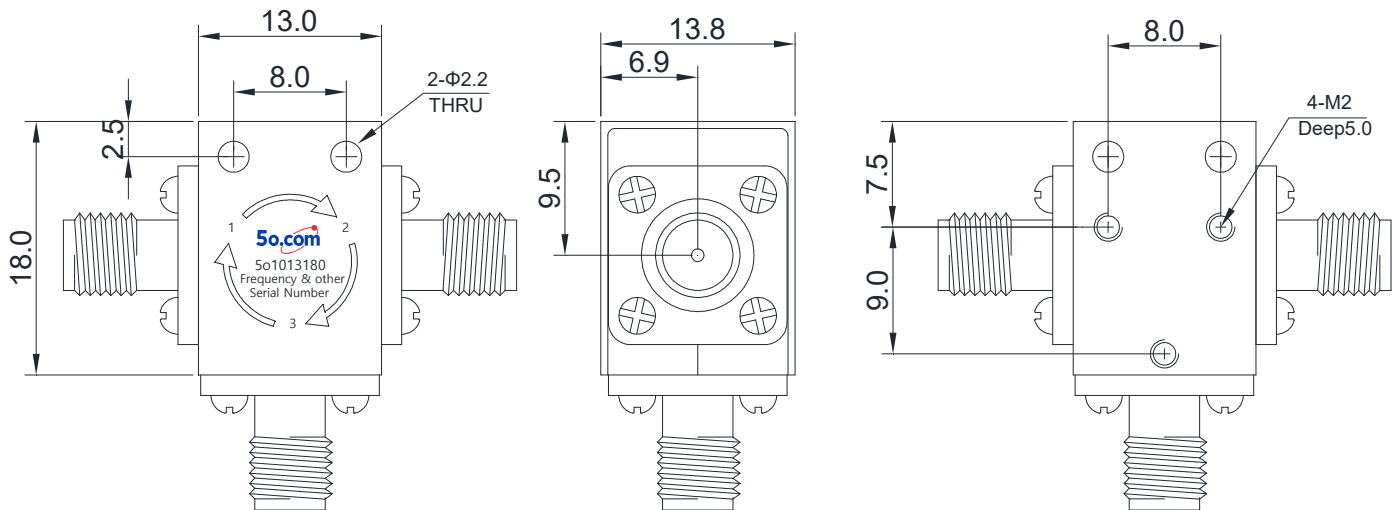
## RF Characteristics

Part Number	Frequency Range (GHz)	Isolation Min(dB)	VSWR Max	Insertion Loss Max(dB)	Connector Type	Temp.(°C)
5o101318068SK	6.0 ~ 8.0	18	1.3	0.5	SMA Female	-55 ~ +85
5o101318079SK	7.0 ~ 9.0	20	1.25	0.5	SMA Female	-55 ~ +85
5o10131807477SK	7.4 ~ 7.7	23	1.2	0.3	SMA Female	-55 ~ +85
5o10131807886SK	7.8 ~ 8.6	23	1.2	0.3	SMA Female	-55 ~ +85
5o1013180810SK	8.0 ~ 10.0	20	1.2	0.4	SMA Female	-55 ~ +85
5o1013180811SK	8.0 ~ 11.0	20	1.25	0.4	SMA Female	-55 ~ +85
5o1013180812SK	8.0 ~ 12.0	18	1.3	0.5	SMA Female	-55 ~ +85
5o1013180910SK	9.0 ~ 10.0	23	1.2	0.3	SMA Female	-55 ~ +85
5o1013180911SK	9.0 ~ 11.0	20	1.2	0.4	SMA Female	-55 ~ +85
5o10131809395SJ	9.3 ~ 9.5	23	1.2	0.3	SMA-Male	-55 ~ +85
5o10131801013SK	10.0 ~ 13.0	21	1.2	0.4	SMA Female	-55 ~ +85
5o10131801015SKSJSK	10.0 ~ 15.0	18	1.35	0.6	SMA Female to SMA Male to SMA Female	-55 ~ +85
5o1013180107133SKSJSK	10.7 ~ 13.3	23	1.2	0.35	SMA Female to SMA Male to SMA Female	-55 ~ +85
5o10131801218SK	12.0 ~ 18.0	18	1.3	0.5	SMA Female	-55 ~ +85
5o10131801375145SK	13.75 ~ 14.5	23	1.2	0.3	SMA Female	-55 ~ +85
5o1013180138178SK	13.8 ~ 17.8	18	1.3	0.5	SMA Female	-55 ~ +85
5o1013180155165SK	15.5 ~ 16.5	23	1.2	0.3	SMA Female	-55 ~ +85
5o10131801618SK	16.0 ~ 18.0	20	1.25	0.5	SMA Female	-55 ~ +85
5o10131801820SK	18.0 ~ 20.0	20	1.25	0.5	SMA Female	-55 ~ +85
5o10131801822SK	18.0 ~ 22.0	18	1.3	0.6	SMA Female	-40 ~ +85
5o10131802123SK	21.0 ~ 23.0	20	1.25	0.5	SMA Female	-40 ~ +85
5o10131802224SK	22.0 ~ 24.0	20	1.25	0.5	SMA Female	-40 ~ +85
5o10131802325SK	23.0 ~ 25.0	20	1.25	0.5	SMA Female	-40 ~ +85
5o10131802426KK	24.0 ~ 26.0	20	1.25	0.5	2.92mm Female	-40 ~ +85
5o10131802425275KK	24.25 ~ 27.5	18	1.3	0.6	2.92mm Female	-40 ~ +85
5o10131802527KK	25.0 ~ 27.0	20	1.25	0.5	2.92mm Female	-40 ~ +85
5o10131802729KK	27.0 ~ 29.0	20	1.25	0.5	2.92mm Female	-40 ~ +85
5o10131802731KK	27.0 ~ 31.0	16	1.4	1.1	2.92mm Female	-40 ~ +85
5o10131803337KK	33.0 ~ 37.0	16	1.4	1.2	2.92mm Female	-40 ~ +85
5o10131803436KK	34.0 ~ 36.0	16	1.4	1.2	2.92mm Female	-40 ~ +85

## Basic Specifications

<b>Dimension</b>	13*18*13.8 mm
<b>Forward Power</b>	60W
<b>Reverse Power</b>	60W
<b>Connector Type</b>	SMA (Male/Female), 2.92mm(Male/Female)
<b>Storage Temperature</b>	-55°C~+125°C
<b>Impedance</b>	50Ω

## Overall Dimension(mm)



## Instructions

Tolerances:  $\pm 2\%$  unless otherwise stated.

- ◆ It can be dual junction or multiple for high isolation.
- ◆ The connector can be selected according to requirements, Connect type (SMA Male/Female, 2.92mm Male/Female, etc.)
- ◆ Only some common frequencies in the table can be produced according to the user's requirements.
- ◆ It supports a one-year standard warranty.