

Coaxial Circulator 100 ~ 200MHz

Application

- ▶ RF power amplifier protection.
- ▶ Digital, Satellite, Mobile Communication.
- ▶ Medical, Communication, Security.
- ▶ Military, Space and Commercial applications.

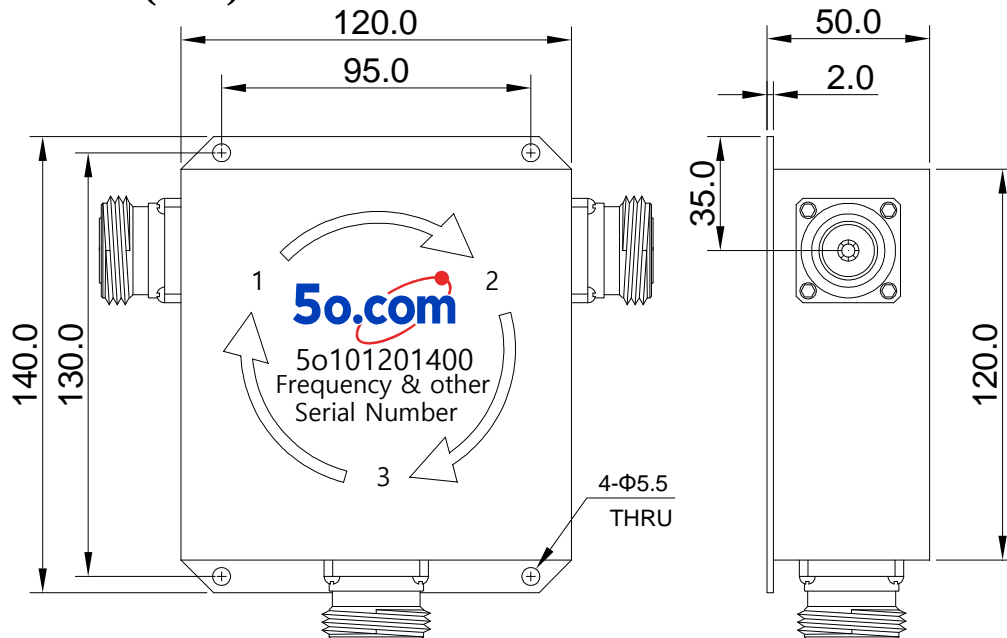
RF Characteristics

Part Number	Frequency Range (MHz)	Isolation Min(dB)	VSWR Max	Insertion Loss Max(dB)	Connector Type
5o101201400100102DK	100 ~ 102	23	1.2	0.4	7/16 Female
5o101201400106108DK	106 ~ 108	23	1.2	0.4	7/16 Female
5o101201400118121DK	118 ~ 121	23	1.2	0.4	7/16 Female
5o101201400127129DK	127 ~ 129	23	1.2	0.4	7/16 Female
5o101201400136138DK	136 ~ 138	23	1.2	0.4	7/16 Female
5o101201400150153DK	150 ~ 153	23	1.2	0.4	7/16 Female
5o101201400161163DK	161 ~ 163	23	1.2	0.4	7/16 Female
5o101201400186190DK	186 ~ 190	23	1.2	0.4	7/16 Female

Basic Specifications

Dimension	120*140*50mm	Impedance	50Ω
Forward Power	1KW	Operating Temperature	0 ~ +85°C
Reverse Power	10KW	Storage Temperature	-55~+125°C

Overall Dimension(mm)



Instructions

Tolerances: ±2% unless otherwise stated.

- ◆ It can be dual junction or multiple for high isolation.
- ◆ The connector can be selected according to requirements, Connect type (7/16 Male/ Female, etc.)
- ◆ Only some common frequencies in the table can be produced according to the user's requirements.
- ◆ It supports a one-year standard warranty.