

Coaxial Circulator 2.0 ~ 4.0GHz

Application

- ▶ RF power amplifier protection.
- ▶ Digital, Satellite, Mobile Communication.
- ▶ Medical, Communication, Security.
- ▶ Military, Space and Commercial applications.

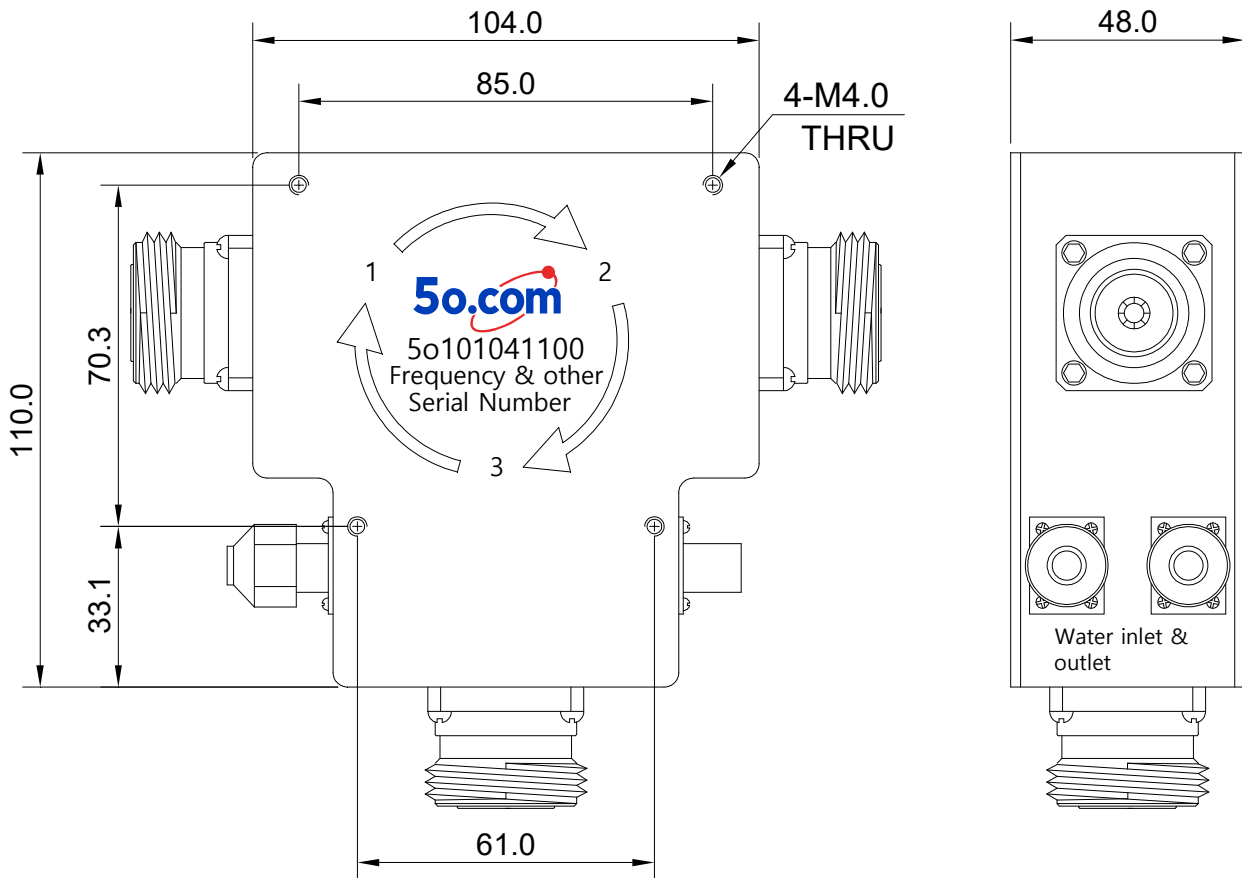
RF Characteristics

Part Number	Frequency Range (MHz)	Insertion Loss Max(dB)	Isolation Min(dB)	VSWR Max	Connector Type	Temp.(°C)
5o10104110020002200DK	2000 ~ 2200	0.4	18	1.3	7/16 Female	-55 ~ +85
5o10104110022002400DK	2200 ~ 2400	0.4	18	1.3	7/16 Female	-55 ~ +85
5o10104110023002500DK	2300 ~ 2500	0.4	18	1.3	7/16 Female	-55 ~ +85
5o10104110024002600DK	2400 ~ 2600	0.4	18	1.3	7/16 Female	-55 ~ +85
5o10104110025002700DK	2500 ~ 2700	0.4	18	1.3	7/16 Female	-55 ~ +85
5o10104110027002900DK	2700 ~ 2900	0.4	18	1.3	7/16 Female	-55 ~ +85
5o10104110028003000DK	2800 ~ 3000	0.4	18	1.3	7/16 Female	-55 ~ +85
5o10104110029003100DK	2900 ~ 3100	0.4	18	1.3	7/16 Female	-55 ~ +85
5o10104110033003500DK	3300 ~ 3500	0.4	18	1.3	7/16 Female	-55 ~ +85
5o10104110034003600DK	3400 ~ 3600	0.4	18	1.3	7/16 Female	-55 ~ +85
5o10104110036003800DK	3600 ~ 3800	0.4	18	1.3	7/16 Female	-55 ~ +85
5o10104110038004000DK	3800 ~ 4000	0.4	18	1.3	7/16 Female	-55 ~ +85

Basic Specifications

Dimension	104*110*48mm
Forward Power	3KW
Reverse Power	30KW
Connector Type	7/16(Male/Female)
Storage Temperature	-55°C~+125°C
Impedance	50Ω

Overall Dimension(mm)



Instructions

Tolerances: $\pm 2\%$ unless otherwise stated.

- ◆ It can be dual junction or multiple for high isolation.
- ◆ The connector can be selected according to requirements, Connect type (7/16 Male/ Female, etc.)
- ◆ Only some common frequencies in the table can be produced according to the user's requirements.
- ◆ It supports a one-year standard warranty.