

Waveguide Isolator 47.0 ~ 51.5GHz

Application

- ▶ RF power amplifier protection.
- ▶ Digital, Satellite, Mobile Communication.
- ▶ Medical, Communication, Security.
- ▶ Military, Space and Commercial applications.

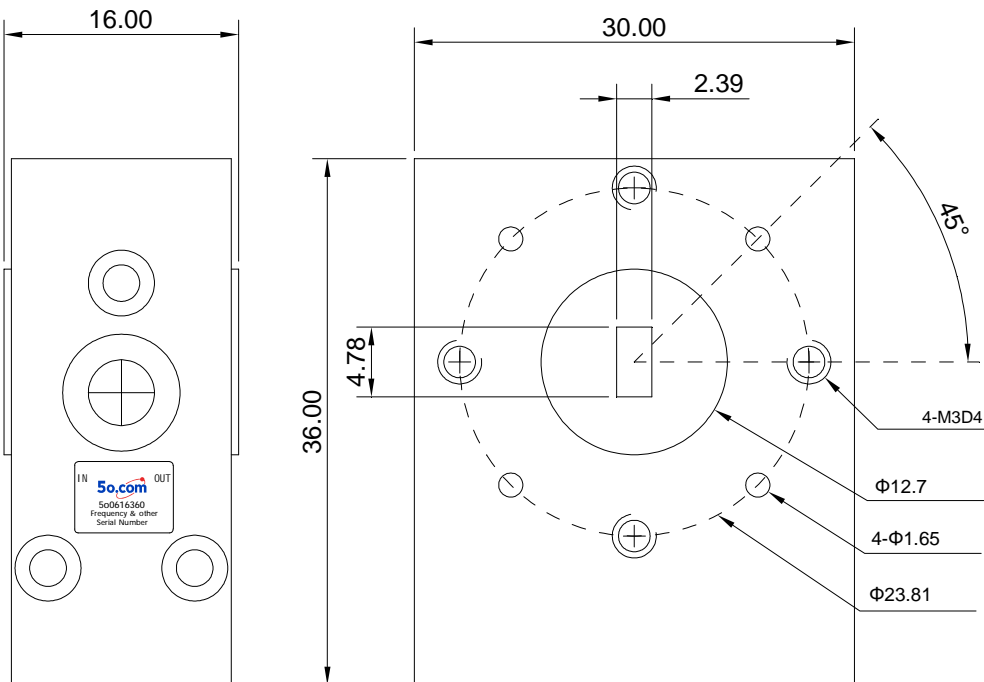
RF Characteristics

Part Number	Frequency Range (GHz)	Isolation Min(dB)	VSWR Max	Insertion Loss Max(dB)	Connector Type
5o061636047515	47.0 ~ 51.5	18	1.3	0.4	WR19(BJ500)

Basic Specifications

Dimension	16*36*30mm	Impedance	50Ω
Forward Power	10W	Operating Temperature	-40 ~ +85°C
Reverse Power	1W	Storage Temperature	-55~+125°C

Overall Dimension(mm)



Instructions

Tolerances: ±2% unless otherwise stated.

- ◆ The waveguide isolator shall be accurately mated with the matching waveguide flange.
- ◆ During installation, ensure the flange surface is clean and free of impurities (e.g., metal debris, dust). The flange connecting bolts shall be tightened evenly to prevent radio frequency (RF) leakage and excessive voltage standing wave ratio (VSWR) caused by poor sealing or uneven stress.
- ◆ Only some common frequencies in the table can be produced according to the user's requirements.
- ◆ It supports a one-year standard warranty.