

Microstrip Isolator 11.0 ~ 18.0GHz & 12.0 ~ 18.0GHz

Application

- ▶ RF power amplifier protection.
- ▶ Digital, Satellite, Mobile Communication.
- ▶ Medical, Communication, Security.
- ▶ Military, Space and Commercial applications.

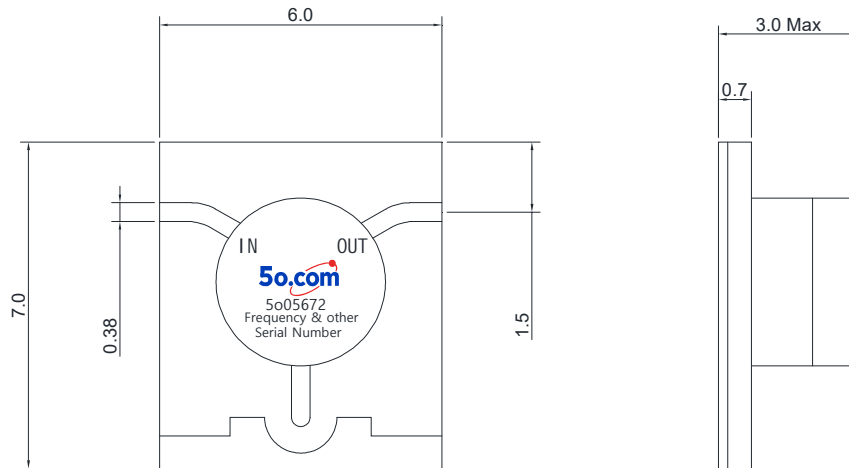
RF Characteristics

Part Number	Frequency Range (GHz)	Isolation Min(dB)	VSWR Max	Insertion Loss Max(dB)	Connector Type
5o056721118	11.0 ~ 18.0	15	1.45	0.9	Microstrip
5o056721218	12.0 ~ 18.0	15	1.45	0.9	Microstrip

Basic Specifications

Dimension	6*7*3mm	Impedance	50Ω
Forward Power	10W	Operating Temperature	-55 ~ +85°C
Reverse Power	3W	Storage Temperature	-55~+125°C

Overall Dimension(mm)



Instructions

Tolerances: ±2% unless otherwise stated.

- ◆ The microstrip isolator/circulator is installed via gold wire bonding.
- ◆ Avoid strong magnetic fields near the product during installation/use, as they may alter the bias magnetic field and affect performance.
- ◆ Only some common frequencies in the table can be produced according to the user's requirements.
- ◆ It supports a one-year standard warranty.