

# Microstrip Isolator 8.0 ~ 12.0GHz

## Application

- ▶ RF power amplifier protection.
- ▶ Digital, Satellite, Mobile Communication.
- ▶ Medical, Communication, Security.
- ▶ Military, Space and Commercial applications.

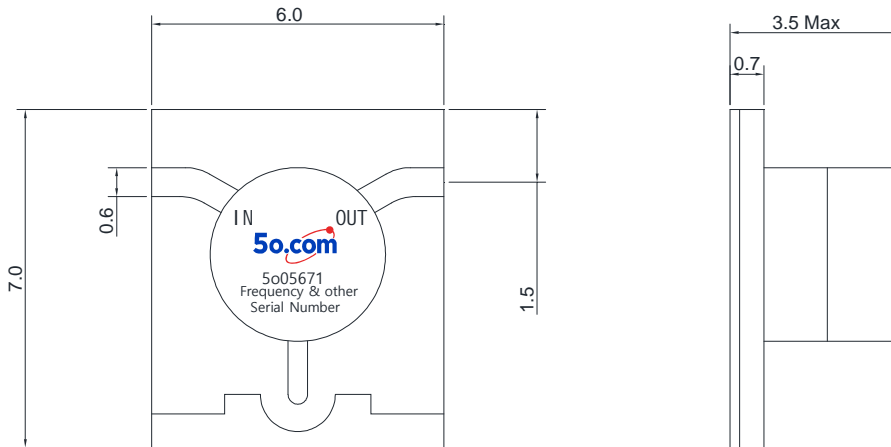
## RF Characteristics

| Part Number | Frequency Range (GHz) | Isolation Min(dB) | VSWR Max | Insertion Loss Max(dB) | Connector Type |
|-------------|-----------------------|-------------------|----------|------------------------|----------------|
| 5o05671812  | 8.0 ~ 12.0            | 17                | 1.35     | 0.6                    | Microstrip     |

## Basic Specifications

|               |           |                       |             |
|---------------|-----------|-----------------------|-------------|
| Dimension     | 6*7*3.5mm | Impedance             | 50Ω         |
| Forward Power | 10W       | Operating Temperature | -55 ~ +85°C |
| Reverse Power | 3W        | Storage Temperature   | -55~+125°C  |

## Overall Dimension(mm)



## Instructions

Tolerances: ±2% unless otherwise stated.

- ◆ The microstrip isolator/circulator is installed via gold wire bonding.
- ◆ Avoid strong magnetic fields near the product during installation/use, as they may alter the bias magnetic field and affect performance.
- ◆ Only some common frequencies in the table can be produced according to the user's requirements.
- ◆ It supports a one-year standard warranty.