

Microstrip Isolator 14.0 ~ 40.0GHz

Application

- ▶ RF power amplifier protection.
- ▶ Digital, Satellite, Mobile Communication.
- ▶ Medical, Communication, Security.
- ▶ Military, Space and Commercial applications.

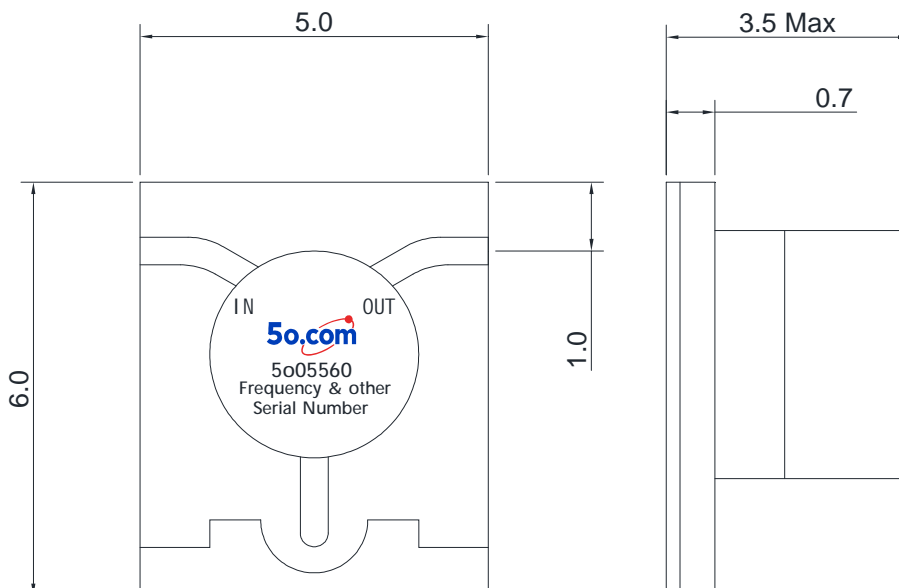
RF Characteristics

Part Number	Frequency Range (GHz)	Isolation Min(dB)	VSWR Max	Insertion Loss Max(dB)	Connector Type
5o055601416	14.0 ~ 16.0	20	1.25	0.5	Microstrip
5o055601517	15.0 ~ 17.0	20	1.25	0.5	Microstrip
5o055601518	15.0 ~ 18.0	18	1.3	0.6	Microstrip
5o05560177197	17.7 ~ 19.7	18	1.3	0.6	Microstrip
5o055601820	18.0 ~ 20.0	18	1.3	0.6	Microstrip
5o05560196212	19.6 ~ 21.2	18	1.3	0.6	Microstrip
5o055602123	21.0 ~ 23.0	18	1.3	0.6	Microstrip
5o055602527	25.0 ~ 27.0	18	1.35	0.7	Microstrip
5o055602729	27.0 ~ 29.0	18	1.35	0.7	Microstrip
5o055602831	28.0 ~ 31.0	18	1.35	0.7	Microstrip
5o055603033	30.0 ~ 33.0	18	1.35	0.7	Microstrip
5o055603337	33.0 ~ 37.0	18	1.35	0.7	Microstrip
5o055603740	37.0 ~ 40.0	18	1.35	0.7	Microstrip

Basic Specifications

Dimension	5*6*3.5mm	Impedance	50Ω
Forward Power	10W	Operating Temperature	-55 ~ +85°C
Reverse Power	3W	Storage Temperature	-55~+125°C

Overall Dimension(mm)



Tolerances: ±2% unless otherwise stated.