

Microstrip Isolator 3.9 ~ 5.9GHz

Application

- ▶ RF power amplifier protection.
- ▶ Digital, Satellite, Mobile Communication.
- ▶ Medical, Communication, Security.
- ▶ Military, Space and Commercial applications.

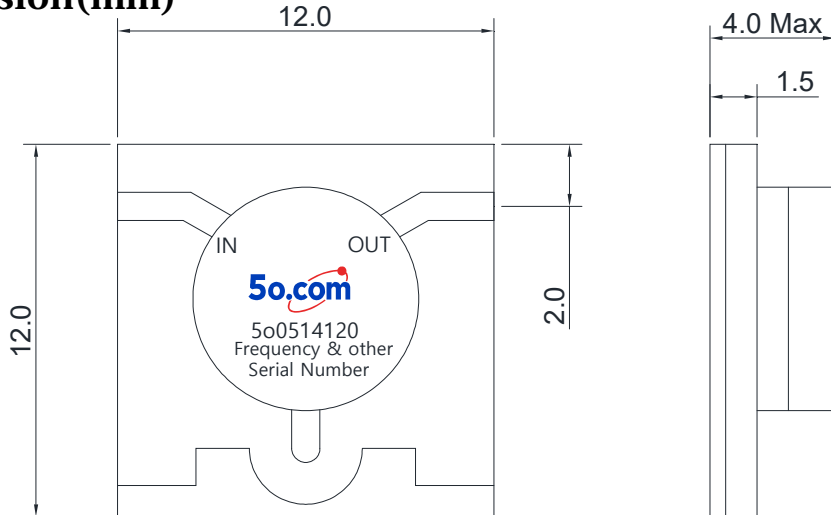
RF Characteristics

Part Number	Frequency Range (GHz)	Isolation Min(dB)	VSWR Max	Insertion Loss Max(dB)	Connector Type
5o05121203943	3.9 ~ 4.3	20	1.2	0.4	Microstrip
5o0512120445	4.0 ~ 4.5	20	1.2	0.4	Microstrip
5o05121204254	4.2 ~ 5.4	18	1.35	0.6	Microstrip
5o05121204447	4.4 ~ 4.7	20	1.2	0.4	Microstrip
5o05121204459	4.4 ~ 5.9	17	1.35	0.7	Microstrip
5o0512120465	4.6 ~ 5.0	20	1.2	0.4	Microstrip
5o05121204852	4.8 ~ 5.2	20	1.2	0.4	Microstrip

Basic Specifications

Dimension	12*12*4mm	Impedance	50Ω
Forward Power	15W	Operating Temperature	-55 ~ +85°C
Reverse Power	5W	Storage Temperature	-55~+125°C

Overall Dimension(mm)



Instructions

Tolerances: ±2% unless otherwise stated.

- ◆ The microstrip isolator/circulator is installed via gold wire bonding.
- ◆ Avoid strong magnetic fields near the product during installation/use, as they may alter the bias magnetic field and affect performance.
- ◆ Only some common frequencies in the table can be produced according to the user's requirements.
- ◆ It supports a one-year standard warranty.