

Surface Mount Isolator 700 ~ 5000MHz

Application

- ▶ RF power amplifier protection.
- ▶ Digital, Satellite, Mobile Communication.
- ▶ Medical, Communication, Security.
- ▶ Military, Space and Commercial applications.

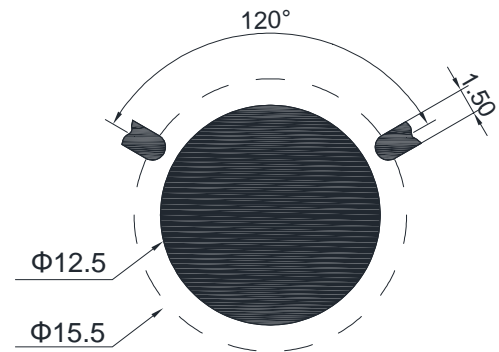
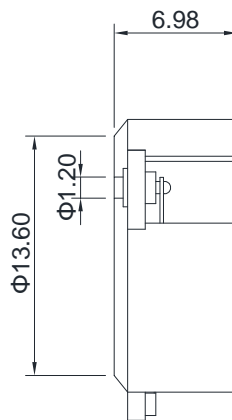
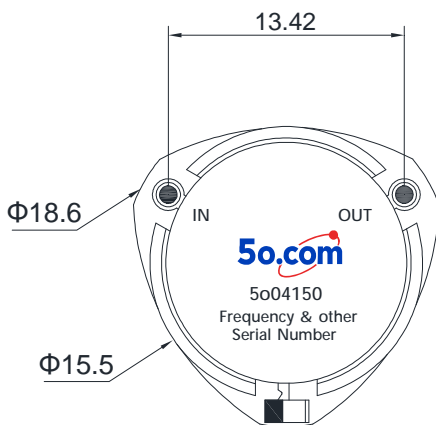
RF Characteristics

Part Number	Frequency Range (MHz)	Isolation Min(dB)	VSWR Max	Insertion Loss Max(dB)	Connector Type
5o04150703748	703 ~ 748	18	1.3	0.5	SMT
5o04150758803	758 ~ 803	18	1.3	0.5	SMT
5o04150791862	791 ~ 862	20	1.25	0.5	SMT
5o04150824894	824 ~ 894	20	1.25	0.5	SMT
5o04150880960	880 ~ 960	20	1.25	0.5	SMT
5o0415012301250	1230 ~ 1250	20	1.25	0.4	SMT
5o0415013301390	1330 ~ 1390	20	1.25	0.4	SMT
5o0415014271517	1427 ~ 1517	20	1.25	0.4	SMT
5o0415015651585	1565 ~ 1585	23	1.2	0.3	SMT
5o0415016161620	1616 ~ 1620	23	1.2	0.3	SMT
5o0415017101785	1710 ~ 1785	23	1.2	0.3	SMT
5o0415017102170	1710 ~ 2170	18	1.3	0.5	SMT
5o0415018051880	1805 ~ 1880	23	1.2	0.3	SMT
5o0415019201990	1920 ~ 1990	23	1.2	0.3	SMT
5o0415021102170	2110 ~ 2170	23	1.2	0.3	SMT
5o0415023002500	2300 ~ 2500	23	1.2	0.3	SMT
5o0415024002600	2400 ~ 2600	23	1.2	0.3	SMT
5o0415024962690	2496 ~ 2690	23	1.2	0.3	SMT
5o0415025002700	2500 ~ 2700	23	1.2	0.3	SMT
5o0415027003100	2700 ~ 3100	20	1.25	0.5	SMT
5o0415029003300	2900 ~ 3300	20	1.25	0.4	SMT
5o0415031003600	3100 ~ 3600	20	1.25	0.4	SMT
5o0415033003600	3300 ~ 3600	23	1.2	0.3	SMT
5o0415037004000	3700 ~ 4000	23	1.2	0.3	SMT
5o0415042004400	4200 ~ 4400	21	1.2	0.3	SMT
5o0415044005000	4400 ~ 5000	20	1.25	0.4	SMT
5o0415048005000	4800 ~ 5000	23	1.2	0.3	SMT

Basic Specifications

Dimension	$\Phi 15.5 \times 7\text{mm}$	Impedance	50Ω
Forward Power	60W	Operating Temperature	-40 ~ +85°C
Reverse Power	10W	Storage Temperature	-55 ~ +125°C

Overall dimensions(mm)



Recommended Land Pattern

Tolerances: $\pm 2\%$ unless otherwise stated.

Instructions

- ◆ When surface mount isolators/circulators use reflow soldering technology, the maximum temperature shall not exceed 260 degrees.
- ◆ Only some common frequencies in the table can be produced according to the user's requirements.
- ◆ It supports a one-year standard warranty.