

## Surface Mount Isolator 0.7 ~ 10GHz

### Application

- ▶ RF power amplifier protection.
- ▶ Digital, Satellite, Mobile Communication.
- ▶ Medical, Communication, Security.
- ▶ Military, Space and Commercial applications.

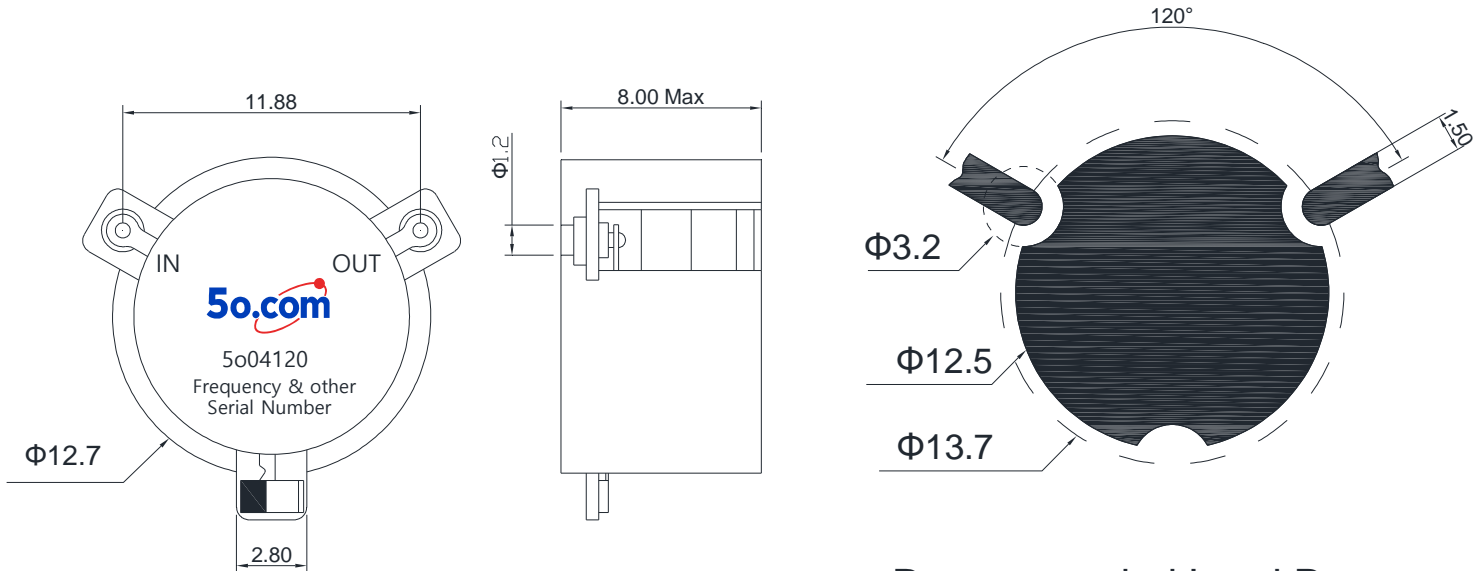
### RF Characteristics

Part Number	Frequency Range (MHz)	Isolation Min(dB)	VSWR Max	Insertion Loss Max(dB)	Connector Type
5o04120703748	703 ~ 748	18	1.4	0.7	SMT
5o04120758803	758 ~ 803	18	1.4	0.6	SMT
5o04120791862	791 ~ 862	16	1.4	0.7	SMT
5o04120824894	824 ~ 894	18	1.3	0.55	SMT
5o04120880960	880 ~ 960	18	1.3	0.5	SMT
5o041209901130	990 ~ 1130	15	1.5	0.7	SMT
5o0412012301350	1230 ~ 1350	18	1.3	0.4	SMT
5o0412013301390	1330 ~ 1390	20	1.25	0.4	SMT
5o0412014271517	1427 ~ 1517	20	1.25	0.4	SMT
5o0412015651585	1565 ~ 1585	23	1.2	0.3	SMT
5o0412016161620	1616 ~ 1620	23	1.2	0.3	SMT
5o0412017101785	1710 ~ 1785	23	1.2	0.3	SMT
5o0412018052170	1805 ~ 2170	18	1.3	0.5	SMT
5o0412018051880	1805 ~ 1880	23	1.2	0.3	SMT
5o0412019201990	1920 ~ 1990	23	1.2	0.3	SMT
5o0412021102170	2110 ~ 2170	23	1.2	0.3	SMT
5o0412023002500	2300 ~ 2500	23	1.2	0.3	SMT
5o0412024002600	2400 ~ 2600	23	1.2	0.3	SMT
5o0412024962690	2496 ~ 2690	23	1.2	0.3	SMT
5o0412025002700	2500 ~ 2700	23	1.2	0.3	SMT
5o0412027003100	2700 ~ 3100	21	1.2	0.4	SMT
5o0412029003300	2900 ~ 3300	20	1.25	0.4	SMT
5o0412031003600	3100 ~ 3600	20	1.25	0.4	SMT
5o0412033003600	3300 ~ 3600	23	1.2	0.3	SMT
5o0412037004000	3700 ~ 4000	23	1.2	0.3	SMT
5o0412042004400	4200 ~ 4400	21	1.2	0.3	SMT
5o0412044005000	4400 ~ 5000	20	1.25	0.4	SMT
5o0412048005000	4800 ~ 5000	23	1.2	0.3	SMT
5o0412050005500	5000 ~ 5500	23	1.2	0.3	SMT
5o0412050006000	5000 ~ 6000	19	1.25	0.4	SMT
5o0412055006000	5500 ~ 6000	23	1.2	0.3	SMT

## Basic Specifications

Dimension	$\Phi 12.7 \times 8\text{mm}$	Impedance	$50\Omega$
Forward Power	30W	Operating Temperature	$-40 \sim +85^{\circ}\text{C}$
Reverse Power	10W	Storage Temperature	$-55 \sim +125^{\circ}\text{C}$

## Overall Dimension(mm)



## Recommended Land Pattern

Tolerances:  $\pm 2\%$  unless otherwise stated.

## Instructions

- ◆ When surface mount isolators/circulators use reflow soldering technology, the maximum temperature shall not exceed 260 degrees.
- ◆ Only some common frequencies in the table can be produced according to the user's requirements.
- ◆ It supports a one-year standard warranty.