

## Surface Mount Isolator 2.4 ~ 6.0GHz

### Application

- ▶RF power amplifier protection.
- ▶Digital, Satellite, Mobile Communication.
- ▶Medical, Communication, Security.
- ▶Military, Space and Commercial applications.

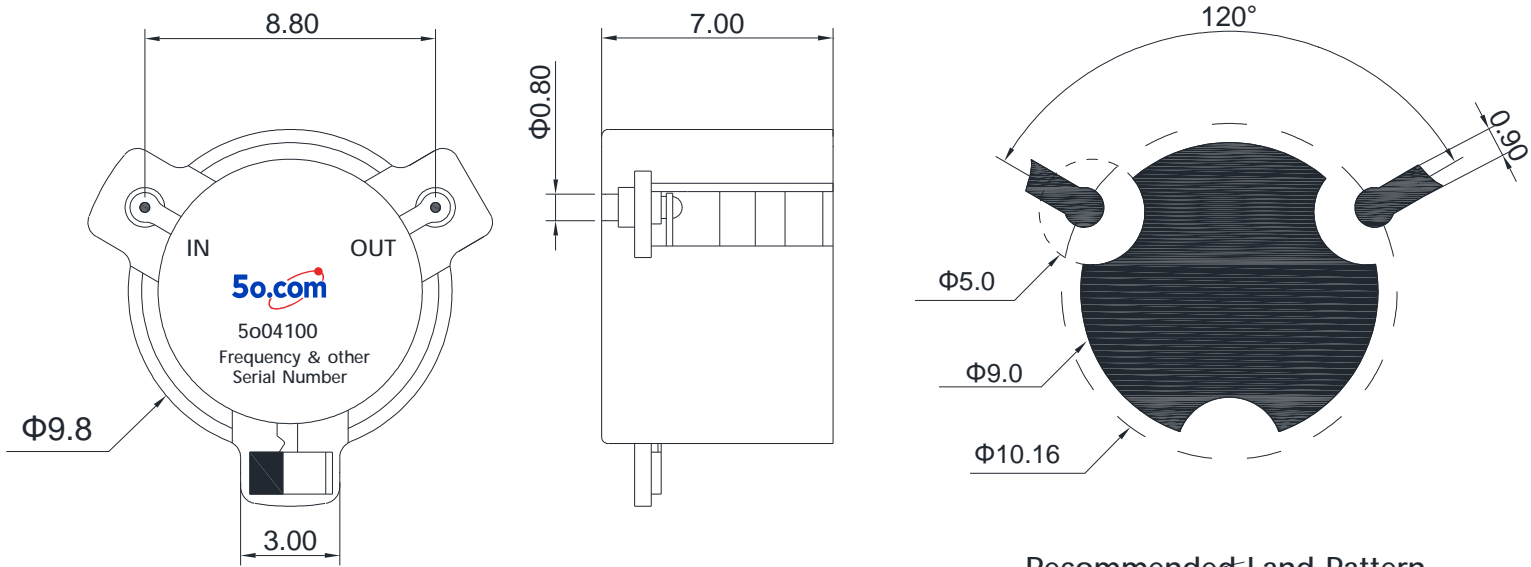
### RF Characteristics

Part Number	Frequency Range (MHz)	Isolation Min(dB)	VSWR Max	Insertion Loss Max(dB)	Connector Type
5o0410024962690	2496 ~ 2690	21	1.2	0.3	SMT
5o041003234	3200 ~ 3400	21	1.2	0.3	SMT
5o041003336	3300 ~ 3600	20	1.25	0.35	SMT
5o041003436	3400 ~ 3600	21	1.2	0.3	SMT
5o04100475	4700 ~ 5000	21	1.2	0.3	SMT
5o04100485	4800 ~ 5000	21	1.2	0.3	SMT
5o0410056	5000 ~ 6000	18	1.3	0.5	SMT
5o04100555	5000 ~ 5500	20	1.25	0.4	SMT
5o04100556	5500 ~ 6000	20	1.25	0.4	SMT
5o041005759	5700 ~ 5900	21	1.2	0.3	SMT

## Basic Specifications

Dimension	$\Phi 9.8 \times 7\text{mm}$	Impedance	$50\Omega$
Forward Power	30W	Operating Temperature	-40 ~ +85°C
Reverse Power	10W	Storage Temperature	-55 ~ +125°C

## Overall Dimension(mm)



Recommended Land Pattern

Tolerances:  $\pm 2\%$  unless otherwise stated.

## Instructions

- ◆ When surface mount isolators/circulators use reflow soldering technology, the maximum temperature shall not exceed 260 degrees.
- ◆ Only some common frequencies in the table can be produced according to the user's requirements.
- ◆ It supports a one-year standard warranty.