

Dual Junction Coaxial Isolator 700 ~2000MHz

Application

- ▶ RF power amplifier protection.
- ▶ Digital, Satellite, Mobile Communication.
- ▶ Medical, Communication, Security.
- ▶ Military, Space and Commercial applications.

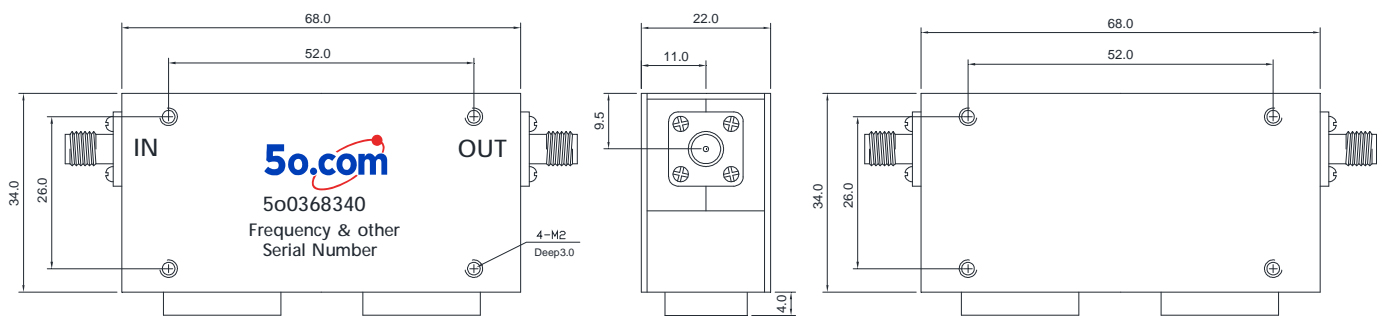
RF Characteristics

Part Number	Frequency Range (MHz)	Isolation Min(dB)	VSWR Max	Insertion Loss Max(dB)	Connector Type	Temp.(°C)
5o0368340700900SK	700 ~ 900	36	1.3	0.8	SMA Female	-30 ~ +70
5o03683408001000NK	800 ~ 1000	40	1.25	0.8	N Female	-30 ~ +70
5o0368340805870NK	805 ~ 870	45	1.2	0.6	N Female	-40 ~ +85
5o03683408501150SJSK	850 ~ 1150	36	1.3	1.2	SMA Male to SMA Female	-30 ~ +70
5o0368340860960SK	860 ~ 960	45	1.2	0.6	SMA Female	-40 ~ +85
5o03683409001200SK	900 ~ 1200	40	1.25	1.0	SMA Female	-30 ~ +70
5o03683409001300SK	900 ~ 1300	36	1.3	1.2	SMA Female	-30 ~ +70
5o03683409501415SK	950 ~ 1415	36	1.4	1.2	SMA Female	0 ~ +60
5o03683409501450SK	950 ~ 1450	32	1.4	1.2	SMA Female	0 ~ +60
5o03683409601215NK	960 ~ 1215	40	1.25	0.8	N Female	-30 ~ +70
5o036834010001500SK	1000 ~ 1500	36	1.4	1.2	SMA Female	0 ~ +60
5o036834012251875SK	1225 ~ 1875	32	1.4	1.2	SMA Female	0 ~ +60
5o036834013501850SK	1350 ~ 1850	36	1.3	1.0	SMA Female	0 ~ +60
5o036834012901710SK	1290 ~ 1710	40	1.25	1.0	SMA Female	0 ~ +60
5o036834013001740SK	1300 ~ 1740	40	1.25	1.0	SMA Female	0 ~ +60
5o036834013001800SK	1300 ~ 1800	36	1.3	1.0	SMA Female	0 ~ +60
5o036834013501850SK	1350 ~ 1850	36	1.3	1.0	SMA Female	0 ~ +60

Basic Specifications

Dimension	68*34*22mm
Forward Power	100W
Reverse Power	30W
Connector Type	N, SMA (Female/Male)
Storage Temperature	-55°C~+125°C
Impedance	50Ω

Overall Dimension(mm)



Instructions

Tolerances: ±2% unless otherwise stated.

- ◆It can be dual junction or multiple for high isolation.
- ◆The connector can be selected according to requirements, Connect type (SMA Male/Female, N Male/ Female, etc.)
- ◆Only some common frequencies in the table can be produced according to the user's requirements.
- ◆It supports a one-year standard warranty.