

# Dual Junction Coaxial Isolator 2.0 ~ 4.0GHz

## Application

- ▶ RF power amplifier protection.
- ▶ Digital, Satellite, Mobile Communication.
- ▶ Medical, Communication, Security.
- ▶ Military, Space and Commercial applications.

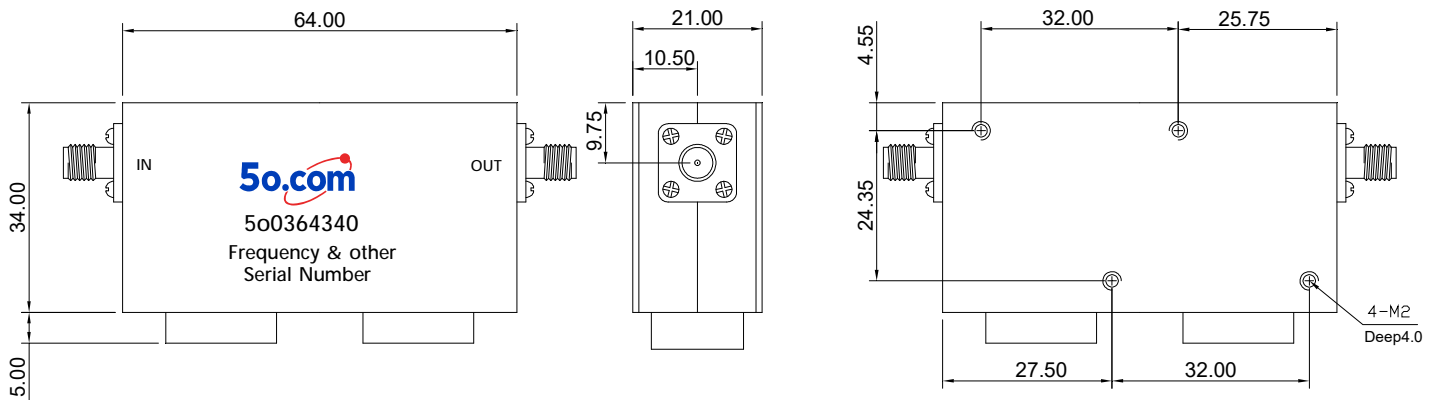
## RF Characteristics

Part Number	Frequency Range (GHz)	Isolation Min (dB)	VSWR Max	Insertion Loss Max (dB)	Connector Type
5o036434024SK	2.0 ~ 4.0	36	1.3	1.2	SMA Female
5o036434024NK	2.0 ~ 4.0	36	1.3	1.2	N Female

## Basic Specifications

Dimension	64*34*21mm	Impedance	50Ω
Forward Power	10W	Operating Temperature	+10 ~ +70°C
Reverse Power	2W	Storage Temperature	-55~+125°C

## Overall Dimension (mm)



## Instructions

Tolerances: ±2% unless otherwise stated.

- ◆ It can be dual junction or multiple for high isolation.
- ◆ The connector can be selected according to requirements, Connect type (SMA Male/ Female, N Male/ Female, etc.)
- ◆ Only some common frequencies in the table can be produced according to the user's requirements.
- ◆ It supports a one-year standard warranty.