

Dual Junction Coaxial Isolator 6.0 ~ 27.5GHz

Application

- ▶ RF power amplifier protection.
- ▶ Digital, Satellite, Mobile Communication.
- ▶ Medical, Communication, Security.
- ▶ Military, Space and Commercial applications.

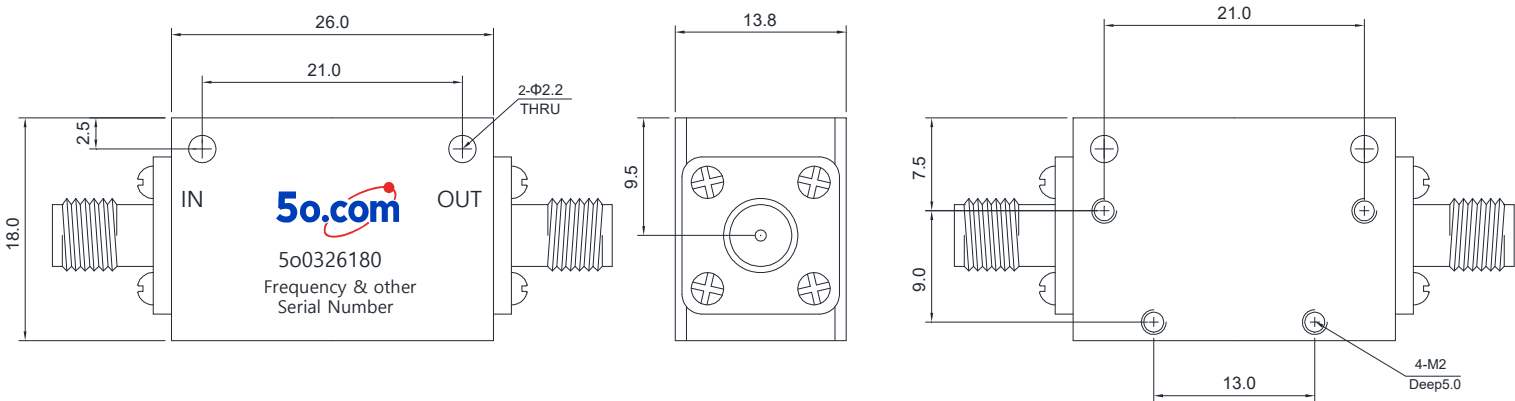
RF Characteristics

Part Number	Frequency Range (GHz)	Isolation Min(dB)	VSWR Max	Insertion Loss Max(dB)	Connector Type	Temp.(°C)
5o032618068SK	6.0 ~ 8.0	36	1.3	1.0	SMA Female	-55 ~ +85
5o032618079SK	7.0 ~ 9.0	40	1.25	1.0	SMA Female	-55 ~ +85
5o03261807477SK	7.4 ~ 7.7	45	1.2	0.6	SMA Female	-55 ~ +85
5o03261807886SK	7.8 ~ 8.6	45	1.2	0.6	SMA Female	-55 ~ +85
5o0326180810SK	8.0 ~ 10.0	40	1.2	0.8	SMA Female	-55 ~ +85
5o0326180811SK	8.0 ~ 11.0	40	1.25	0.8	SMA Female	-55 ~ +85
5o0326180812SK	8.0 ~ 12.0	36	1.3	1.0	SMA Female	-55 ~ +85
5o0326180910SK	9.0 ~ 10.0	45	1.2	0.6	SMA Female	-55 ~ +85
5o0326180911SK	9.0 ~ 11.0	40	1.2	0.8	SMA Female	-55 ~ +85
5o03261809395SJ	9.3 ~ 9.5	45	1.2	0.6	SMA Male	-55 ~ +85
5o03261801013SK	10.0 ~ 13.0	42	1.2	0.8	SMA Female	-55 ~ +85
5o03261801015SKSJ	10.0 ~ 15.0	36	1.35	1.2	SMA Female to SMA Male	-55 ~ +85
5o0326180107133SKSJ	10.7 ~ 13.3	45	1.2	0.6	SMA Female to SMA Male	-55 ~ +85
5o03261801218SK	12.0 ~ 18.0	36	1.3	1.0	SMA Female	-55 ~ +85
5o03261801375145SK	13.75 ~ 14.5	45	1.2	0.6	SMA Female	-55 ~ +85
5o0326180138178SK	13.8 ~ 17.8	36	1.3	1.0	SMA Female	-55 ~ +85
5o0326180155165SK	15.5 ~ 16.5	45	1.2	0.6	SMA Female	-55 ~ +85
5o03261801618SK	16.0 ~ 18.0	40	1.25	1.0	SMA Female	-55 ~ +85
5o03261801820SK	18.0 ~ 20.0	40	1.25	1.0	SMA Female	-55 ~ +85
5o03261801822SK	18.0 ~ 22.0	36	1.3	1.2	SMA Female	-40 ~ +85
5o03261802123SK	21.0 ~ 23.0	40	1.25	1.0	SMA Female	-40 ~ +85
5o03261802224SK	22.0 ~ 24.0	40	1.25	1.0	SMA Female	-40 ~ +85
5o03261802325SK	23.0 ~ 25.0	40	1.25	1.0	SMA Female	-40 ~ +85
5o03261802426KK	24.0 ~ 26.0	40	1.25	1.0	2.92mm Female	-40 ~ +85
5o03261802425275KK	24.25 ~ 27.5	36	1.3	1.2	2.92mm Female	-40 ~ +85
5o03261802527KK	25.0 ~ 27.0	40	1.25	1.0	2.92mm Female	-40 ~ +85

Basic Specifications

Dimension	26*18*13.8mm
Forward Power	60W
Reverse Power	5W
Connector Type	SMA, 2.92mm (Female/Male)
Storage Temperature	-55°C~+125°C
Impedance	50Ω

Overall Dimension(mm)



Instructions

Tolerances: ±2% unless otherwise stated.

- ◆ It can be dual junction or multiple for high isolation.
- ◆ The connector can be selected according to requirements, Connect type (SMA Male/Female, 2.92mm Male/Female, etc.)
- ◆ Only some common frequencies in the table can be produced according to the user's requirements.
- ◆ It supports a one-year standard warranty.