

# Dual Junction Coaxial Isolator 10 ~ 55MHz

## Application

- ▶ RF power amplifier protection.
- ▶ Medical, Communication, Security.
- ▶ Digital, Satellite, Mobile Communication.
- ▶ Military, Space and Commercial applications.

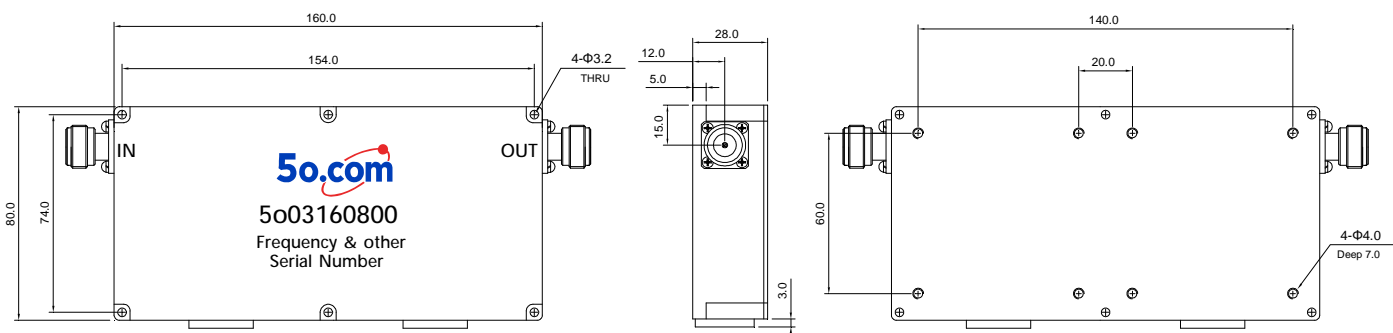
## RF Characteristics

Part Number	Frequency Range (MHz)	Isolation Min(dB)	VSWR Max	Insertion Loss Max(dB)	Connector Type	Temp.(°C)
5o031608002530SK	25 ~ 30	24	1.45	7.0	SMA Female	+10 ~ +60
5o031608002628SK	26 ~ 28	30	1.45	6.0	SMA Female	+10 ~ +60
5o03160800285305NK	28.5 ~ 30.5	32	1.4	5.6	N Female	+10 ~ +60
5o031608003032NK	30 ~ 32	32	1.4	3.6	N Female	+10 ~ +60
5o031608003035SK	30 ~ 35	32	1.4	6.0	SMA Female	+10 ~ +60
5o031608003545SK	35 ~ 45	40	1.4	5.0	SMA Female	+10 ~ +60
5o031608004450NKNJ	44 ~ 50	40	1.25	2.4	N Female to N	25±5
		34	1.35	3.0	Male	+20 ~ +60
5o031608004555SK	45 ~ 55	40	1.4	4.0	SMA Female	+10 ~ +60

## Basic Specifications

<b>Dimension</b>	160*80*28mm	<b>Impedance</b>	50Ω
<b>Forward Power</b>	100W	<b>Connector Type</b>	N, SMA(Female/Male)
<b>Reverse Power</b>	50W	<b>Storage Temperature</b>	-55~+125°C

## Overall Dimension(mm)



## Instructions

- ◆ It can be dual junction or multiple for high isolation.
- ◆ The connector can be selected according to requirements, Connect type (SMA Male/Female, N Male/ Female, etc.)
- ◆ Only some common frequencies in the table can be produced according to the user's requirements.
- ◆ It supports a one-year standard warranty.

Tolerances: ±2% unless otherwise stated.