

Dual Junction Coaxial Isolator 45 ~ 270MHz

Application

- ▶ RF power amplifier protection.
- ▶ Digital, Satellite, Mobile Communication.
- ▶ Medical, Communication, Security.
- ▶ Military, Space and Commercial applications.

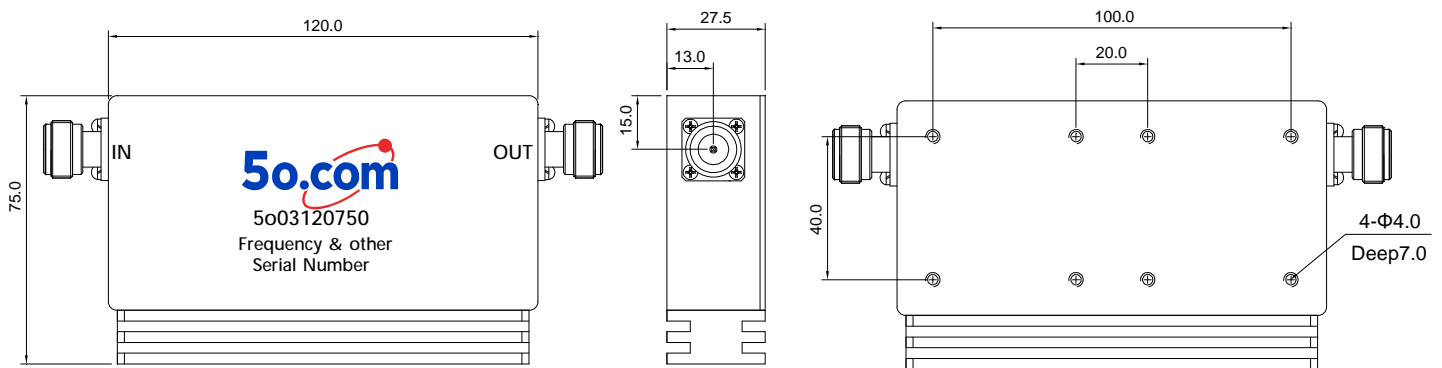
RF Characteristics

Part Number	Frequency Range (MHz)	Isolation Min(dB)	VSWR Max	Insertion Loss Max(dB)	Connector Type	Temp.(°C)
5o031207504550SK	45 ~ 50	36	1.3	3.0	SMA Female	-10 ~ +65
5o031207504555SK	45 ~ 55	36	1.3	3.6	SMA Female	-10 ~ +65
5o031207505075SK	50 ~ 75	40	1.25	3.6	SMA Female	-10 ~ +65
5o031207505575SK	55 ~ 75	40	1.25	2.5	SMA Female	-10 ~ +65
5o031207506065NK	60 ~ 65	40	1.25	2.0	N Female	-10 ~ +65
5o031207506570NK	65 ~ 70	40	1.25	2.0	N Female	-10 ~ +65
5o031207506888SK	68 ~ 88	36	1.3	2.5	SMA Female	-20 ~ +65
5o031207507085SK	70 ~ 85	40	1.25	1.6	SMA Female	-20 ~ +65
5o031207507090NK	70 ~ 90	40	1.25	2.0	N Female	-20 ~ +65
5o0312075080120SK	80 ~ 120	36	1.3	2.0	SMA Female	0 ~ +65
5o0312075085135NK	85 ~ 135	36	1.3	2.4	N Female	-10 ~ +65
5o0312075087108NK	87 ~ 108	40	1.25	1.2	N Female	-20 ~ +65
5o0312075087108NKP200	87 ~ 108	40	1.25	1.2	N Female	-20 ~ +65
5o0312075088138NK	88 ~ 138	36	1.3	2.0	N Female	-10 ~ +65
5o03120750100130NK	100 ~ 130	40	1.25	1.2	N Female	-30 ~ +70
5o03120750100150SK	100 ~ 150	40	1.25	2.0	SMA Female	-10 ~ +65
5o03120750108118NK	108 ~ 118	45	1.2	1.0	N Female	-30 ~ +70
5o03120750108118NKP200	108 ~ 118	45	1.2	1.0	N Female	-30 ~ +70
5o03120750112156NK	112 ~ 156	40	1.25	1.6	N Female	-30 ~ +70
5o03120750118137NK	118 ~ 137	45	1.2	1.0	N Female	-30 ~ +70
5o03120750118137NKP200	118 ~ 137	45	1.2	1.0	N Female	-30 ~ +70
5o03120750130180SK	130 ~ 180	40	1.25	1.2	SMA Female	-30 ~ +70
5o03120750136174SK	136 ~ 174	44	1.2	1.0	SMA Female	-30 ~ +70
5o03120750136174NKP200	136 ~ 174	44	1.2	1.0	N Female	-30 ~ +70
5o03120750148174NKP150	148 ~ 174	50	1.15	1.0	N Female	-30 ~ +70
5o03120750150200NK	150 ~ 200	40	1.25	1.2	N Female	-30 ~ +70
5o03120750150225SK	150 ~ 225	36	1.3	1.8	SMA Female	-30 ~ +70
5o03120750170200NK	170 ~ 200	40	1.25	1.0	N Female	-30 ~ +70
5o03120750170200NKP200	170 ~ 200	40	1.25	1.0	N Female	-30 ~ +70
5o03120750180220SJSK	180 ~ 220	40	1.25	1.0	SMA Male to SMA Female	-30 ~ +70
5o03120750200270NK	200 ~ 270	40	1.25	1.4	N Female	-30 ~ +70

Basic Specifications

Dimension	120*75*28mm
Forward Power	100W/200W
Reverse Power	100W
Connector Type	N, SMA, 2.92mm (Female/Male)
Storage Temperature	-55°C~+125°C
Impedance	50Ω

Overall Dimension(mm)



Instructions

Tolerances: ±2% unless otherwise stated.

- ◆ It can be dual junction or multiple for high isolation.
- ◆ The connector can be selected according to requirements, Connect type (SMA Male/Female, N Male/ Female, etc.)
- ◆ Only some common frequencies in the table can be produced according to the user's requirements.
- ◆ It supports a one-year standard warranty.