

Dual Junction Coaxial Isolator 45 ~ 270MHz

Application

- ▶ RF power amplifier protection.
- ▶ Digital, Satellite, Mobile Communication.
- ▶ Medical, Communication, Security.
- ▶ Military, Space and Commercial applications.

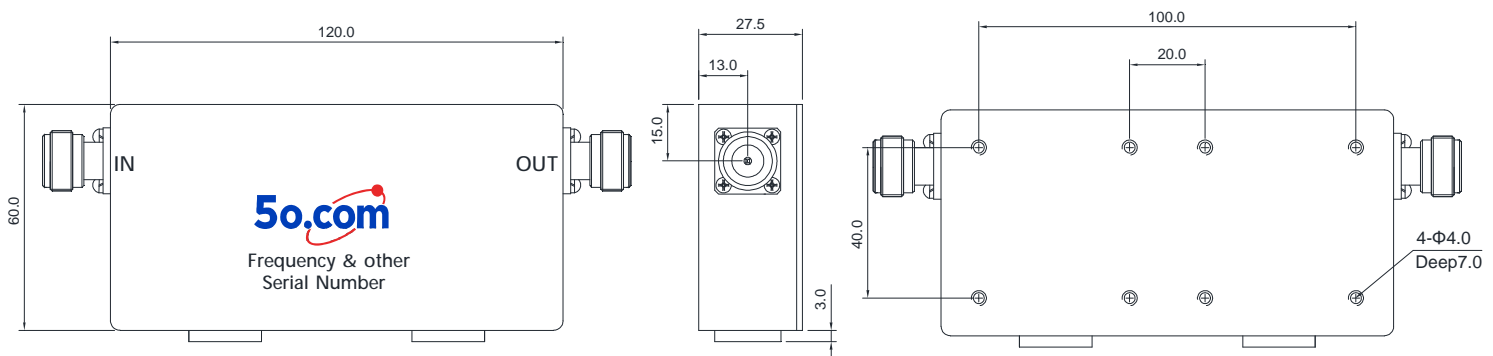
RF Characteristics

Part Number	Frequency Range (MHz)	Isolation Min(dB)	VSWR Max	Insertion Loss Max(dB)	Connector Type	Temp.(°C)
5o031206004550SK	45 ~ 50	36	1.3	3.0	SMA Female	-10 ~ +65
5o031206004555SK	45 ~ 55	36	1.3	3.6	SMA Female	-10 ~ +65
5o031206005075SK	50 ~ 75	40	1.25	3.6	SMA Female	-10 ~ +65
5o031206005575SK	55 ~ 75	40	1.25	2.5	SMA Female	-10 ~ +65
5o031206006065NK	60 ~ 65	40	1.25	2.0	N Female	-10 ~ +65
5o031206006570NK	65 ~ 70	40	1.25	2.0	N Female	-10 ~ +65
5o031206006888SK	68 ~ 88	36	1.3	2.5	SMA Female	-20 ~ +65
5o031206007085SK	70 ~ 85	40	1.25	1.6	SMA Female	-20 ~ +65
5o031206007090NK	70 ~ 90	40	1.25	2.0	N Female	-20 ~ +65
5o0312060080120SK	80 ~ 120	36	1.3	2.0	SMA Female	0 ~ +65
5o0312060085135NK	85 ~ 135	36	1.3	2.4	N Female	-10 ~ +65
5o0312060087108NK	87 ~ 108	40	1.25	1.2	N Female	-20 ~ +65
5o0312060087108NKP200	87 ~ 108	40	1.25	1.2	N Female	-20 ~ +65
5o0312060088138NK	88 ~ 138	36	1.3	2.0	N Female	-10 ~ +65
5o03120600100130NK	100 ~ 130	40	1.25	1.2	N Female	-30 ~ +70
5o03120600100150SK	100 ~ 150	40	1.25	2.0	SMA Female	-10 ~ +65
5o03120600108118NK	108 ~ 118	45	1.2	1.0	N Female	-30 ~ +70
5o03120600108118NKP200	108 ~ 118	45	1.2	1.0	N Female	-30 ~ +70
5o03120600112156NK	112 ~ 156	40	1.25	1.6	N Female	-30 ~ +70
5o03120600118137NK	118 ~ 137	45	1.2	1.0	N Female	-30 ~ +70
5o03120600118137NKP200	118 ~ 137	45	1.2	1.0	N Female	-30 ~ +70
5o03120600130180SK	130 ~ 180	40	1.25	1.2	SMA Female	-30 ~ +70
5o03120600136174SK	136 ~ 174	44	1.2	1.0	SMA Female	-30 ~ +70
5o03120600136174NKP200	136 ~ 174	44	1.2	1.0	N Female	-30 ~ +70
5o03120600148174NKP150	148 ~ 174	50	1.15	1.0	N Female	-30 ~ +70
5o03120600150200NK	150 ~ 200	40	1.25	1.2	N Female	-30 ~ +70
5o03120600150225SK	150 ~ 225	36	1.3	1.8	SMA Female	-30 ~ +70
5o03120600170200NK	170 ~ 200	40	1.25	1.0	N Female	-30 ~ +70
5o03120600170200NKP200	170 ~ 200	40	1.25	1.0	N Female	-30 ~ +70
5o03120600180220SJSK	180 ~ 220	40	1.25	1.0	SMA Male to SMA Female	-30 ~ +70
5o03120600200270NK	200 ~ 270	40	1.25	1.4	N Female	-30 ~ +70

Basic Specifications

Dimension	120*60*28mm
Forward Power	100W/200
Reverse Power	50W
Connector Type	N, SMA (Female/Male)
Storage Temperature	-55°C~+125°C
Impedance	50Ω

Overall Dimension(mm)



Instructions

Tolerances: $\pm 2\%$ unless otherwise stated.

- ◆ It can be dual junction or multiple for high isolation.
- ◆ The connector can be selected according to requirements, Connect type (SMA Male/Female, N Male/ Female, etc.)
- ◆ Only some common frequencies in the table can be produced according to the user's requirements.
- ◆ It supports a one-year standard warranty.