

## Dual Junction Drop in Isolator 400 ~3000MHz

### Application

- ▶ RF power amplifier protection.
- ▶ Digital, Satellite, Mobile Communication.
- ▶ Medical, Communication, Security.
- ▶ Military, Space and Commercial applications.

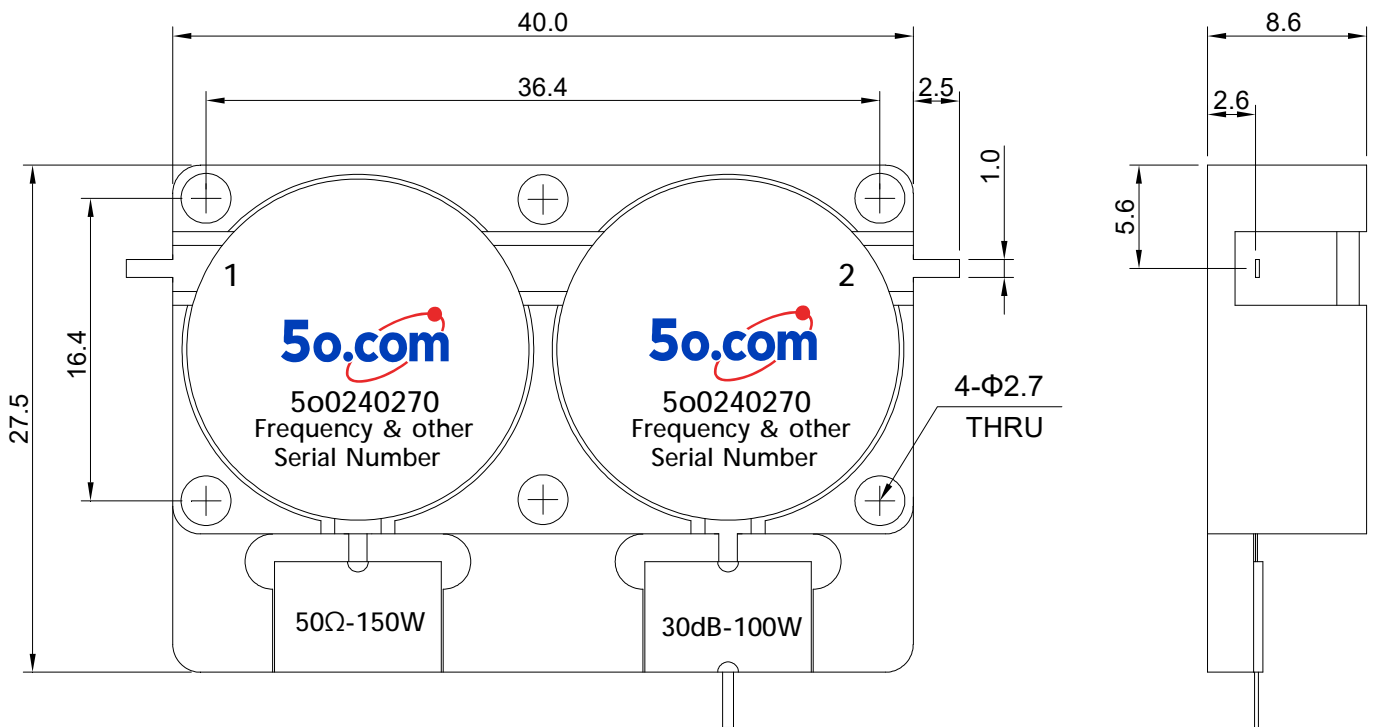
### RF Characteristics

Part Number	Frequency Range (MHz)	Isolation Min(dB)	VSWR Max	Insertion Loss Max(dB)	Forward Power(W)	Reverse Power(W)
5o0240270400420	400 ~ 420	32	1.4	1.4	100	100
5o0240270430450	430 ~ 450	36	1.3	1.0	100	100
5o0240270450470	450 ~ 470	40	1.25	1.0	100	100
5o0240270470490	470 ~ 490	40	1.25	1.0	100	100
5o0240270490510	490 ~ 510	40	1.25	1.0	100	100
5o0240270700800	700 ~ 800	36	1.3	1.0	100	100
5o0240270825865	825 ~ 865	40	1.25	0.7	100	100
5o0240270860960	860 ~ 960	40	1.25	0.8	100	100
5o0240270869894	869 ~ 894	45	1.2	0.6	100	100
5o0240270880960	880 ~ 960	45	1.2	0.6	100	100
5o0240270902928	902 ~ 928	45	1.15	0.5	100	100
5o0240270925960	925 ~ 960	45	1.15	0.5	100	100
5o024027010001200	1000 ~ 1200	40	1.25	0.8	100	100
5o024027014501550	1450 ~ 1550	45	1.2	0.6	100	100
5o024027017102170	1710 ~ 2170	36	1.3	1.0	100	100
5o024027017151805A30	1715 ~ 1805	45	1.2	0.6	100	30dB 100W
5o024027018051880A30	1805 ~ 1880	50	1.15	0.5	100	30dB 100W
5o024027019201990A30	1920 ~ 1990	50	1.15	0.5	100	30dB 100W
5o024027021102170	2110 ~ 2170	50	1.15	0.5	100	100
5o024027020002700	2000 ~ 2700	36	1.3	1.0	100	100
5o024027022000200	2200 ~ 2300	45	1.2	0.6	100	100
5o024027024002500	2400 ~ 2500	45	1.2	0.6	100	100
5o024027024962690	2496 ~ 2690	45	1.2	0.6	100	100
5o024027025002700	2500 ~ 2700	45	1.2	0.6	100	100

## Basic Specifications

Dimension	40*27.5*8.6mm
Connector Type	TAB
Operating Temperature	-40 ~ +85°C
Storage Temperature	-55°C~+125°C
Impedance	50Ω

## Overall Dimension(mm)



## Instructions

Tolerances:  $\pm 2\%$  unless otherwise stated.

- ◆ It can be dual junction or multiple for high isolation.
- ◆ For the third stage, you can select a 100W load, a 20dB attenuator, or a 30dB attenuator.
- ◆ Installing the embedded isolator/circulator, please use stainless steel or brass screws.
- ◆ Only some common frequencies in the table can be produced according to the user's requirements.
- ◆ It supports a one-year standard warranty.