

# Drop in Isolator 225 ~ 400MHz

## Application

- ▶ RF power amplifier protection.
- ▶ Medical, Communication, Security.
- ▶ Digital, Satellite, Mobile Communication.
- ▶ Military, Space and Commercial applications.

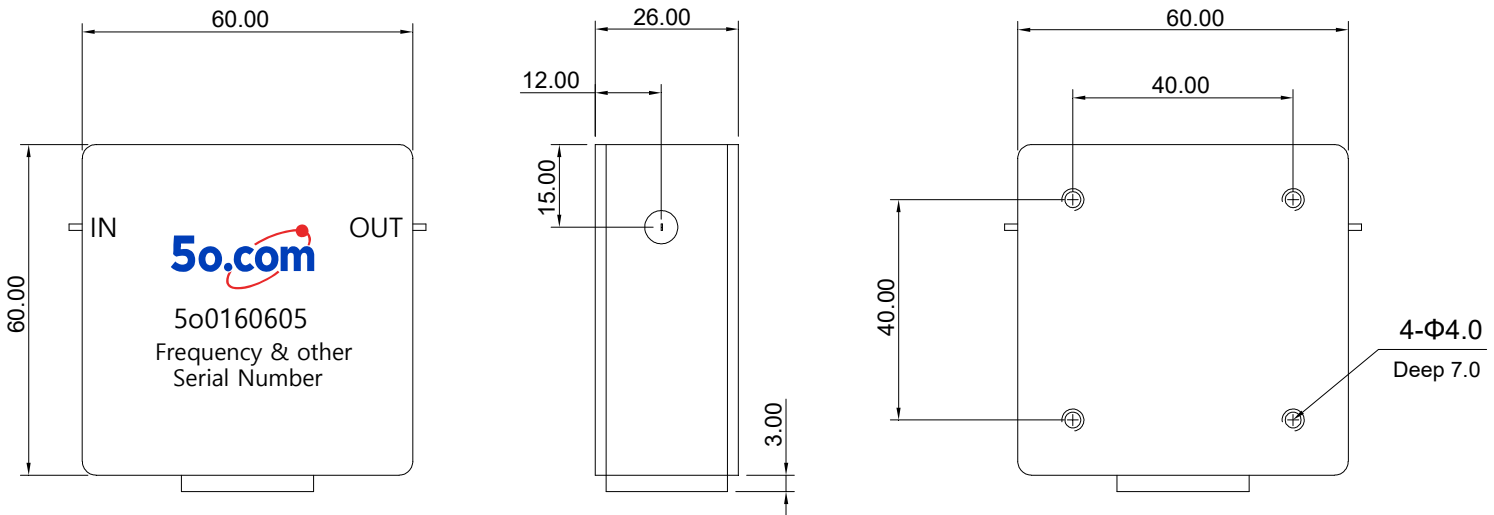
## RF Characteristics

Part Number	Frequency Range (MHz)	Isolation Min(dB)	VSWR Max	Insertion Loss Max(dB)	Connector Type	Temp.(°C)
5o0160605225400	225 ~ 400	18	1.3	0.8	TAB	0 ~ +60
		16	1.4	1.0		-40 ~ +85

## Basic Specifications

<b>Dimension</b>	60*60*28 mm	<b>Impedance</b>	50Ω
<b>Forward Power</b>	160W	<b>Operating Temperature</b>	-45 ~ +85°C
<b>Reverse Power</b>	50W	<b>Storage Temperature</b>	-55~+125°C

## Overall Dimension(mm)



## Instructions

Tolerances: ±2% unless otherwise stated.

- ◆ It can be dual junction or multiple for high isolation.
- ◆ Installing the embedded isolator/circulator, please use stainless steel or brass screws.
- ◆ Only some common frequencies in the table can be produced according to the user's requirements.
- ◆ It supports a one-year standard warranty.