

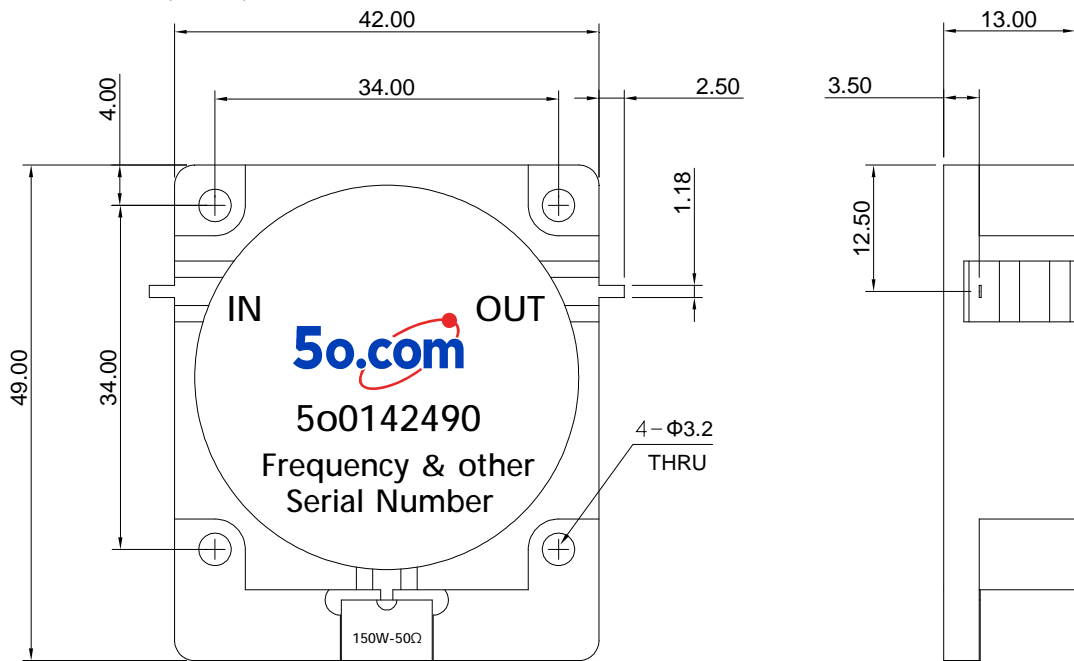
Drop in Isolator 200 ~ 1300MHz

Application

- ▶ RF power amplifier protection.
- ▶ Digital, Satellite, Mobile Communication.
- ▶ Medical, Communication, Security.
- ▶ Military, Space and Commercial applications.

RF Characteristics (Reverse Power 150W)

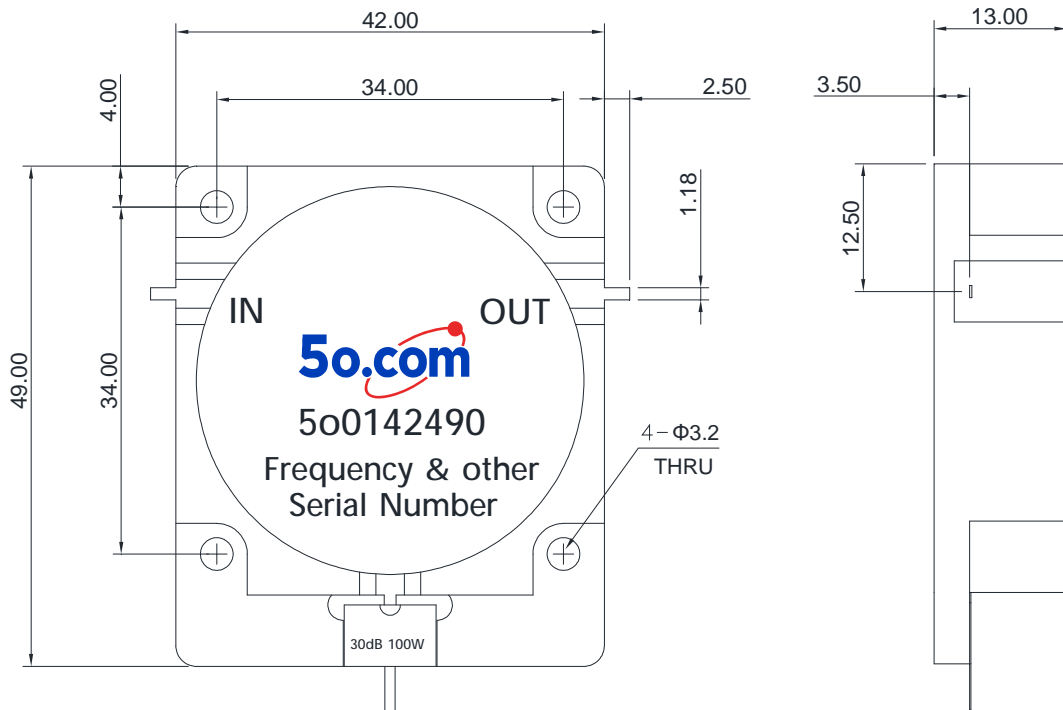
Part Number	Frequency Range (MHz)	Isolation Min(dB)	VSWR Max	Insertion Loss Max(dB)	Forward Power(W)	Reverse Power(W)
5o0142490200250	200 ~ 250	16	1.4	0.65	300	150
5o0142490250260	250 ~ 260	23	1.2	0.3	300	150
5o0142490250300	250 ~ 300	18	1.3	0.4	300	150
5o0142490289359	289 ~ 359	20	1.25	0.5	300	150
5o0142490300400	300 ~ 400	17	1.3	0.6	300	150
5o0142490350450	350 ~ 450	20	1.25	0.5	300	150
5o0142490350400	350 ~ 400	23	1.2	0.35	300	150
5o0142490350500	350 ~ 500	16	1.4	0.6	300	150
5o0142490380460	380 ~ 460	23	1.2	0.4	300	150
5o0142490380500	380 ~ 500	20	1.25	0.5	300	150
5o0142490400500	400 ~ 500	20	1.25	0.4	300	150
5o0142490400512	400 ~ 512	20	1.25	0.5	300	150
5o0142490400430	400 ~ 430	25	1.15	0.25	300	150
5o0142490440470	440 ~ 470	25	1.15	0.25	300	150
5o0142490500700	500 ~ 700	17	1.35	0.5	300	150
5o01424907001000	700 ~ 1000	18	1.3	0.6	300	150

Overall Dimension(mm)

 Tolerances: $\pm 2\%$ unless otherwise stated.

RF Characteristics (Reverse Power 20dB/30dB 100W)

Part Number	Frequency Range (MHz)	Isolation Min(dB)	VSWR Max	Insertion Loss Max(dB)	Forward Power(W)	Reverse Power(W)
5o014249020025030	200 ~ 250	16	1.4	0.65	300	30dB 100W
5o014249025026030	250 ~ 260	23	1.2	0.3	300	30dB 100W
5o014249025030030	250 ~ 300	18	1.3	0.4	300	30dB 100W
5o014249028935920	289 ~ 359	20	1.25	0.5	300	20dB 100W
5o014249030040030	300 ~ 400	17	1.3	0.6	300	30dB 100W
5o014249035045030	350 ~ 450	20	1.25	0.5	300	30dB 100W
5o014249035040020	350 ~ 400	23	1.2	0.35	300	20dB 100W
5o014249035050030	350 ~ 500	16	1.4	0.6	300	30dB 100W
5o014249038046030	380 ~ 460	23	1.2	0.4	300	30dB 100W
5o014249038050030	380 ~ 500	20	1.25	0.5	300	30dB 100W
5o014249040050030	400 ~ 500	20	1.25	0.4	300	30dB 100W
5o014249040051230	400 ~ 512	20	1.25	0.5	300	30dB 100W
5o014249040043030	400 ~ 430	25	1.15	0.25	300	30dB 100W
5o014249044047030	440 ~ 470	25	1.15	0.25	300	30dB 100W
5o014249050070030	500 ~ 700	17	1.35	0.5	300	30dB 100W
5o0142490700100030	700 ~ 1000	18	1.3	0.6	300	30dB 100W

Overall Dimension(mm)



Tolerances: $\pm 2\%$ unless otherwise stated.

Basic Specifications

Dimension	42*49*13mm
Connector Type	TAB
Operating Temperature	-40 ~ +85°C
Storage Temperature	-55°C~+125°C
Impedance	50Ω

Instructions

- ◆ It can be dual junction or multiple for high isolation.
- ◆ For the third stage, you can select a 150W load, a 20dB attenuator, or a 30dB attenuator.
- ◆ Installing the embedded isolator/circulator, please use stainless steel or brass screws.
- ◆ Only some common frequencies in the table can be produced according to the user's requirements.
- ◆ It supports a one-year standard warranty.