

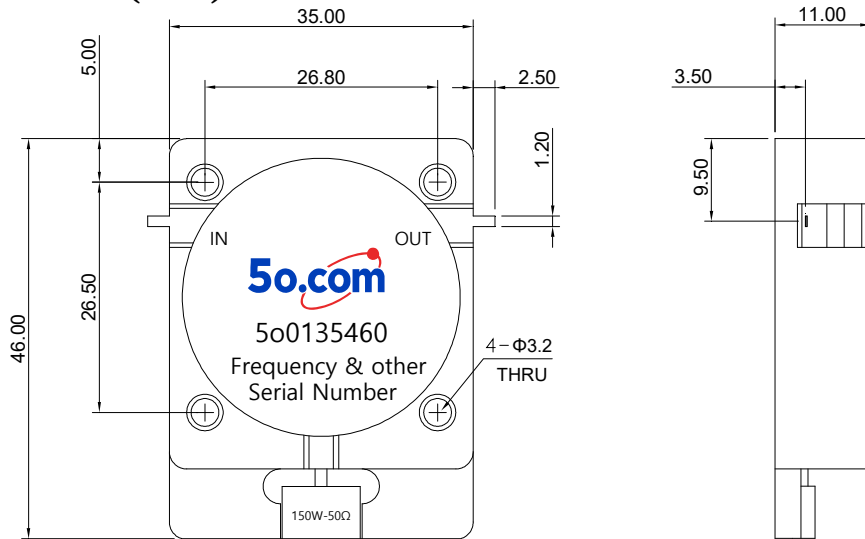
Drop in Isolator 200 ~ 1875MHz

Application

- ▶ RF power amplifier protection.
- ▶ Digital, Satellite, Mobile Communication.
- ▶ Medical, Communication, Security.
- ▶ Military, Space and Commercial applications.

RF Characteristics (Reverse Power 150W)

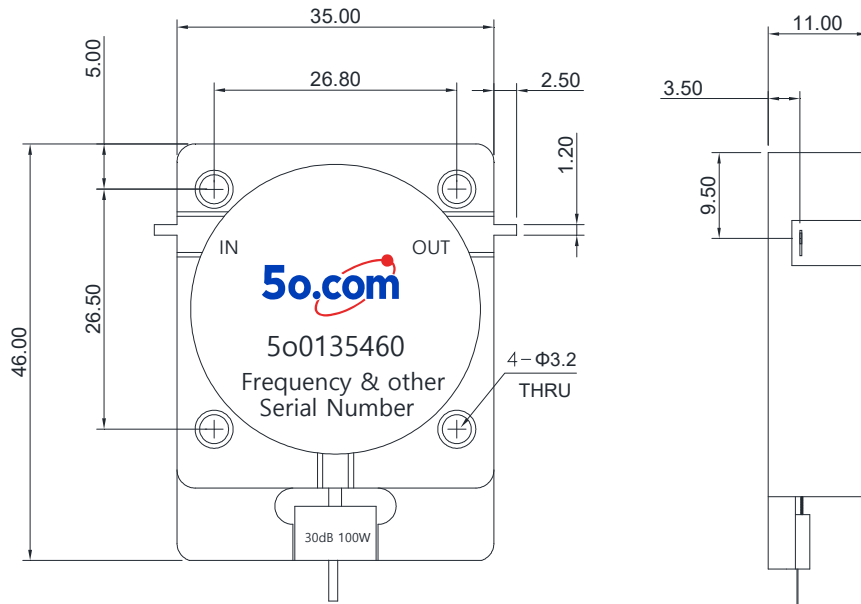
Part Number	Frequency Range (MHz)	Isolation Min(dB)	VSWR Max	Insertion Loss Max(dB)	Forward Power(W)	Reverse Power(W)
5o0135460220240	220 ~ 240	18	1.3	0.65	300	150
5o0135460240260	240 ~ 260	18	1.3	0.5	300	150
5o0135460260280	260 ~ 280	20	1.25	0.5	300	150
5o0135460309339	309 ~ 339	20	1.25	0.4	300	150
5o0135460350370	350 ~ 370	21	1.2	0.35	300	150
5o0135460380460	380 ~ 460	18	1.3	0.5	300	150
5o0135460390410	390 ~ 410	23	1.2	0.3	300	150
5o0135460400470	400 ~ 470	20	1.25	0.4	300	150
5o0135460413419	413 ~ 419	30	1.15	0.3	300	150
5o0135460419425	419 ~ 425	30	1.15	0.3	300	150
5o0135460440470	440 ~ 470	23	1.2	0.3	300	150
5o0135460450520	450 ~ 520	20	1.25	0.4	300	150
5o0135460600800	600 ~ 800	19	1.25	0.5	300	150
5o0135460700900	700 ~ 900	20	1.25	0.4	300	150
5o01354607001000	700 ~ 1000	16	1.4	0.6	300	150
5o0135460770860	770 ~ 860	23	1.2	0.3	300	150
5o0135460860872	860 ~ 872	30	1.15	0.25	300	150
5o0135460900930	900 ~ 930	30	1.15	0.2	300	150
5o013546010001300	1000 ~ 1300	20	1.25	0.4	300	150
5o013546011001700	1100 ~ 1700	15	1.45	0.5	300	150
5o013546012961298	1296 ~ 1298	30	1.15	0.2	300	150

Overall Dimension(mm)

 Tolerances: $\pm 2\%$ unless otherwise stated.

RF Characteristics (Reverse Power 20dB/30dB 100W)

Part Number	Frequency Range (MHz)	Isolation Min(dB)	VSWR Max	Insertion Loss Max(dB)	Forward Power(W)	Reverse Power(W)
5o013546022024030	220 ~ 240	18	1.3	0.65	300	30dB 100W
5o013546024026030	240 ~ 260	18	1.3	0.5	300	30dB 100W
5o013546026028030	260 ~ 280	20	1.25	0.5	300	30dB 100W
5o013546030933930	309 ~ 339	20	1.25	0.4	300	30dB 100W
5o013546035037020	350 ~ 370	21	1.2	0.35	300	20dB 100W
5o013546038046020	380 ~ 460	18	1.3	0.5	300	20dB 100W
5o013546039041030	390 ~ 410	23	1.2	0.3	300	30dB 100W
5o013546040047030	400 ~ 470	20	1.25	0.4	300	30dB 100W
5o013546041341930	413 ~ 419	30	1.15	0.3	300	30dB 100W
5o013546041942530	419 ~ 425	30	1.15	0.3	300	30dB 100W
5o013546044047030	440 ~ 470	23	1.2	0.3	300	30dB 100W
5o013546045052030	450 ~ 520	20	1.25	0.4	300	30dB 100W
5o013546060080030	600 ~ 800	19	1.25	0.5	300	30dB 100W
5o013546070090030	700 ~ 900	20	1.25	0.4	300	30dB 100W
5o0135460700100030	700 ~ 1000	16	1.4	0.6	300	30dB 100W
5o013546077086030	770 ~ 860	23	1.2	0.3	300	30dB 100W
5o013546086087230	860 ~ 872	30	1.15	0.25	300	30dB 100W
5o013546090093030	900 ~ 930	30	1.15	0.2	300	30dB 100W
5o01354601000130030	1000 ~ 1300	20	1.25	0.4	300	30dB 100W
5o01354601100170030	1100 ~ 1700	15	1.45	0.5	300	30dB 100W
5o01354601296129830	1296 ~ 1298	30	1.15	0.2	300	30dB 100W

Overall Dimension(mm)



Tolerances: $\pm 2\%$ unless otherwise stated.

Basic Specifications

Dimension	35*46*11mm
Connector Type	TAB
Operating Temperature	-40 ~ +85°C
Storage Temperature	-55°C ~ +125°C
Impedance	50Ω

Instructions

- ◆ It can be dual junction or multiple for high isolation.
- ◆ For the third stage, you can select a 100W load, a 20dB attenuator, or a 30dB attenuator.
- ◆ Installing the embedded isolator/circulator, please use stainless steel or brass screws.
- ◆ Only some common frequencies in the table can be produced according to the user's requirements.
- ◆ It supports a one-year standard warranty.