

Drop in Isolator 200 ~ 1875MHz

Application

- ▶ RF power amplifier protection.
- ▶ Digital, Satellite, Mobile Communication.
- ▶ Medical, Communication, Security.
- ▶ Military, Space and Commercial applications.

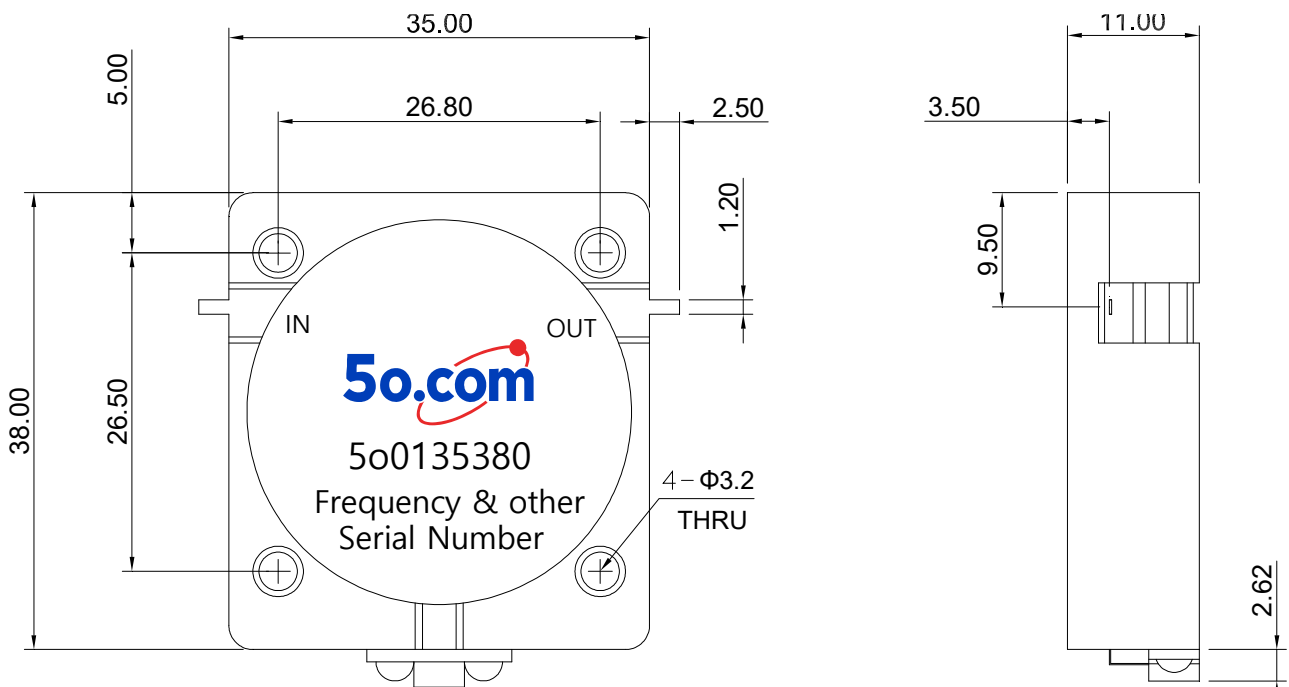
RF Characteristics

Part Number	Frequency Range (MHz)	Isolation Min(dB)	VSWR Max	Insertion Loss Max(dB)	Connector Type	Temp.(°C)
5o0135380220240	220 ~ 240	18	1.3	0.65	TAB	-20 ~ +65
5o0135380240260	240 ~ 260	18	1.3	0.5	TAB	-20 ~ +65
5o0135380260280	260 ~ 280	20	1.25	0.5	TAB	-20 ~ +65
5o0135380309339	309 ~ 339	20	1.25	0.4	TAB	-20 ~ +65
5o0135380350370	350 ~ 370	21	1.2	0.35	TAB	-20 ~ +65
5o0135380380460	380 ~ 460	18	1.3	0.5	TAB	-20 ~ +65
5o0135380390410	390 ~ 410	23	1.2	0.3	TAB	-30 ~ +70
5o0135380400470	400 ~ 470	20	1.25	0.4	TAB	-30 ~ +70
5o0135380413419	413 ~ 419	30	1.15	0.3	TAB	-30 ~ +70
5o0135380419425	419 ~ 425	30	1.15	0.3	TAB	-30 ~ +70
5o0135380440470	440 ~ 470	23	1.2	0.3	TAB	-30 ~ +70
5o0135380450520	450 ~ 520	20	1.25	0.4	TAB	-20 ~ +65
5o0135380600800	600 ~ 800	19	1.25	0.5	TAB	-20 ~ +65
5o0135380700900	700 ~ 900	20	1.25	0.4	TAB	-20 ~ +65
5o01353807001000	700 ~ 1000	16	1.4	0.6	TAB	-30 ~ +70
5o0135380770860	770 ~ 860	23	1.2	0.3	TAB	-30 ~ +70
5o0135380860872	860 ~ 872	30	1.15	0.25	TAB	-20 ~ +65
5o0135380900930	900 ~ 930	30	1.15	0.2	TAB	-40 ~ +85
5o013538010001300	1000 ~ 1300	20	1.25	0.4	TAB	-30 ~ +70
5o013538011001700	1100 ~ 1700	15	1.45	0.5	TAB	-30 ~ +70
5o013538012961298	1296 ~ 1298	30	1.15	0.2	TAB	-40 ~ +85

Basic Specifications

Dimension	35*38*11mm
Forward Power	300W
Reverse Power	30W
Connector Type	TAB
Storage Temperature	-40°C~+125°C
Impedance	50Ω

Overall Dimension(mm)



Instructions

Tolerances: $\pm 2\%$ unless otherwise stated.

- ◆ It can be dual junction or multiple for high isolation.
- ◆ Installing the embedded isolator/circulator, please use stainless steel or brass screws.
- ◆ Only some common frequencies in the table can be produced according to the user's requirements.
- ◆ It supports a one-year standard warranty.