

# Drop in Isolator 700 ~ 3100MHz

## Application

- ▶ RF power amplifier protection.
- ▶ Digital, Satellite, Mobile Communication.
- ▶ Medical, Communication, Security.
- ▶ Military, Space and Commercial applications.

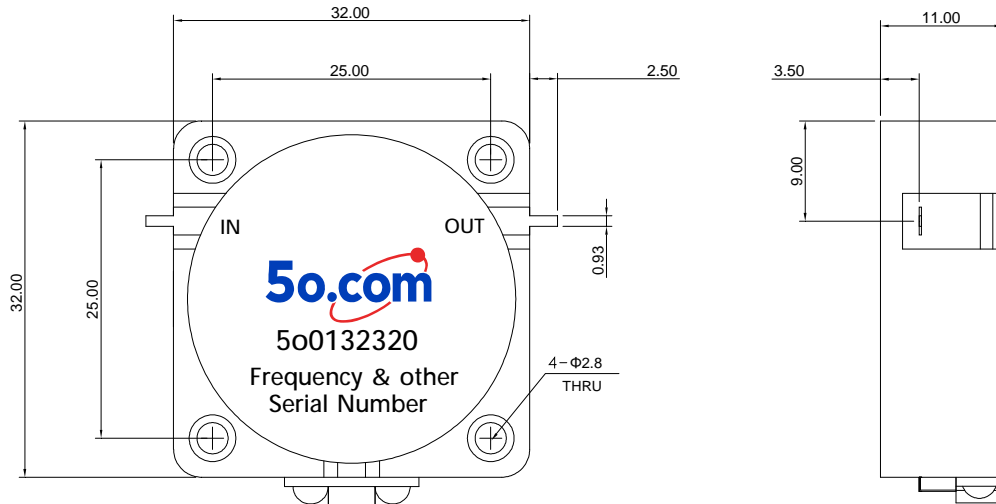
## RF Characteristics

Part Number	Frequency Range (MHz)	Isolation Min(dB)	VSWR Max	Insertion Loss Max(dB)	Connector Type	Temp.(°C)
5o0132320700900	700 ~ 900	20	1.25	0.5	TAB	-30 ~ +70
5o0132320800900	800 ~ 900	20	1.25	0.4	TAB	-30 ~ +70
5o01323209601215	960 ~ 1215	20	1.25	0.4	TAB	-30 ~ +70
5o013232016002000	1600 ~ 2000	18	1.3	0.6	TAB	-20 ~ +65
5o013232018002200	1800 ~ 2200	18	1.3	0.5	TAB	-30 ~ +70
5o013232020002400	2000 ~ 2400	18	1.3	0.5	TAB	-40 ~ +70
5o013232024002500	2400 ~ 2500	23	1.15	0.2	TAB	-40 ~ +85

## Basic Specifications

Dimension	32*32*11mm	Impedance	50Ω
Forward Power	200W	Connector Type	TAB
Reverse Power	30W	Storage Temperature	-55~+125°C

## Overall Dimension(mm)



## Instructions

Tolerances: ±2% unless otherwise stated.

- ◆ It can be dual junction or multiple for high isolation.
- ◆ Installing the embedded isolator/circulator, please use stainless steel or brass screws.
- ◆ Only some common frequencies in the table can be produced according to the user's requirements.
- ◆ It supports a one-year standard warranty.