

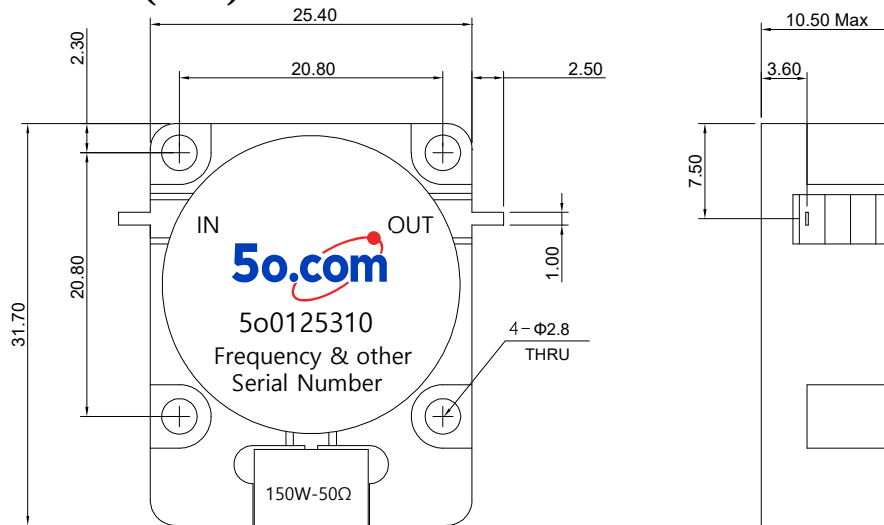
## Drop in Isolator 200 ~ 3600MHz

### Application

- ▶ RF power amplifier protection.
- ▶ Digital, Satellite, Mobile Communication.
- ▶ Medical, Communication, Security.
- ▶ Military, Space and Commercial applications.

### RF Characteristics (Reverse Power 150W)

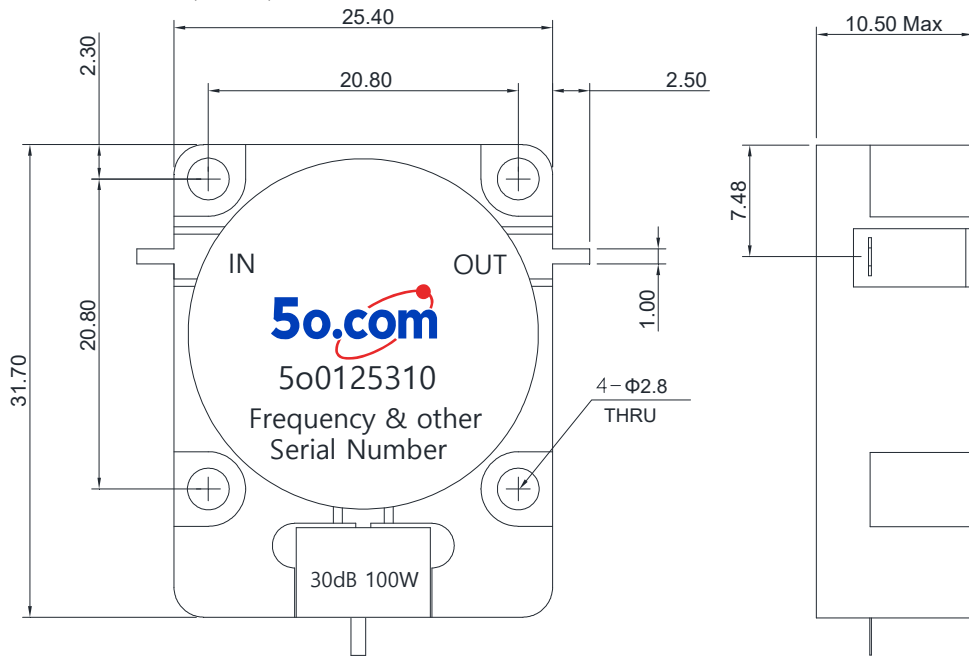
Part Number	Frequency Range (MHz)	Isolation Min(dB)	VSWR Max	Insertion Loss Max(dB)	Forward Power(W)	Reverse Power(W)
5o0125310210220	210 ~ 220	18	1.3	0.6	200	150
5o0125310220230	220 ~ 230	18	1.3	0.5	200	150
5o0125310250270	250 ~ 270	18	1.3	0.5	200	150
5o0125310300320	300 ~ 320	20	1.25	0.5	200	150
5o0125310350370	350 ~ 370	20	1.25	0.4	200	150
5o0125310380460	380 ~ 460	17	1.35	0.5	200	150
5o0125310400470	400 ~ 470	18	1.3	0.5	200	150
5o0125310410425	410 ~ 425	25	1.15	0.3	200	150
5o0125310430470	430 ~ 470	20	1.25	0.4	200	150
5o0125310450512	450 ~ 512	20	1.25	0.5	200	150
5o0125310490510	490 ~ 510	25	1.15	0.25	200	150
5o0125310600700	600 ~ 700	21	1.2	0.3	200	150
5o0125310700803	700 ~ 803	23	1.2	0.3	200	150
5o01253108001000	800 ~ 1000	19	1.25	0.4	200	150
5o0125310869894	869 ~ 894	25	1.15	0.2	200	150
5o0125310925960	925 ~ 960	25	1.15	0.2	200	150
5o01253109501250	950 ~ 1250	18	1.3	0.5	200	150
5o012531011501650	1150 ~ 1650	15	1.45	0.5	200	150
5o012531012001400	1200 ~ 1400	23	1.2	0.3	200	150
5o012531013001800	1300 ~ 1800	16	1.4	0.5	200	150
5o012531015001700	1500 ~ 1700	23	1.2	0.3	200	150
5o012531017102170	1710 ~ 2170	20	1.25	0.4	200	150
5o012531018051880	1805 ~ 1880	25	1.15	0.2	200	150
5o012531019201990	1920 ~ 1990	25	1.15	0.2	200	150
5o012531020002500	2000 ~ 2500	20	1.25	0.5	200	150
5o012531023002700	2300 ~ 2700	23	1.2	0.3	200	150
5o012531024962690	2496 ~ 2690	25	1.15	0.25	200	150
5o012531027003100	2700 ~ 3100	23	1.2	0.25	200	150
5o012531030003600	3000 ~ 3600	20	1.25	0.3	200	150

**Overall Dimension(mm)**

 Tolerances:  $\pm 2\%$  unless otherwise stated.

**RF Characteristics (Reverse Power 20dB/30dB 100W)**

Part Number	Frequency Range (MHz)	Isolation Min(dB)	VSWR Max	Insertion Loss Max(dB)	Forward Power(W)	Reverse Power(W)
5o012531021022030	210 ~ 220	18	1.3	0.6	200	30dB 100W
5o012531022023030	220 ~ 230	18	1.3	0.5	200	30dB 100W
5o012531025027030	250 ~ 270	18	1.3	0.5	200	30dB 100W
5o012531030032030	300 ~ 320	20	1.25	0.5	200	30dB 100W
5o012531035037020	350 ~ 370	20	1.25	0.4	200	20dB 100W
5o012531038046020	380 ~ 460	17	1.35	0.5	200	20dB 100W
5o012531040047030	400 ~ 470	18	1.3	0.5	200	30dB 100W
5o012531045051220	450 ~ 512	20	1.25	0.5	200	20dB 100W
5o012531049051030	490 ~ 510	25	1.15	0.25	200	30dB 100W
5o012531060070030	600 ~ 700	21	1.2	0.3	200	30dB 100W
5o012531070080330	700 ~ 803	23	1.2	0.3	200	30dB 100W
5o0125310800100030	800 ~ 1000	19	1.25	0.4	200	30dB 100W
5o012531086989430	869 ~ 894	25	1.15	0.2	200	30dB 100W
5o012531092596020	925 ~ 960	25	1.15	0.2	200	20dB 100W
5o0125310950125030	950 ~ 1250	18	1.3	0.5	200	30dB 100W
5o01253101150165030	1150 ~ 1650	15	1.45	0.5	200	30dB 100W
5o01253101200140030	1200 ~ 1400	23	1.2	0.3	200	30dB 100W
5o01253101300180030	1300 ~ 1800	16	1.4	0.5	200	30dB 100W
5o01253101500170030	1500 ~ 1700	23	1.2	0.3	200	30dB 100W
5o01253101710217030	1710 ~ 2170	20	1.25	0.4	200	30dB 100W
5o01253101805188030	1805 ~ 1880	25	1.15	0.2	200	30dB 100W
5o01253101920199030	1920 ~ 1990	25	1.15	0.2	200	30dB 100W
5o01253102000250030	2000 ~ 2500	20	1.25	0.5	200	30dB 100W
5o01253102300270030	2300 ~ 2700	23	1.2	0.3	200	30dB 100W
5o01253102496269030	2496 ~ 2690	25	1.15	0.25	200	30dB 100W
5o01253102700310030	2700 ~ 3100	23	1.2	0.25	200	30dB 100W
5o01253103000360030	3000 ~ 3600	20	1.25	0.3	200	30dB 100W

### Overall Dimension(mm)



Tolerances: ±2% unless otherwise stated.

### Basic Specifications

Dimension	25.4*31.7*10.5mm
Connector Type	TAB
Operating Temperature	-40°C~+125°C
Storage Temperature	-55°C~+125°C
Impedance	50Ω

### Instructions

- ◆It can be dual junction or multiple for high isolation.
- ◆For the third stage, you can select a 150W load, a 20dB attenuator, or a 30dB attenuator.
- ◆Installing the embedded isolator/circulator, please use stainless steel or brass screws.
- ◆Only some common frequencies in the table can be produced according to the user's requirements.
- ◆It supports a one-year standard warranty.