

Drop in Isolator 200 ~ 3600MHz

Application

- ▶ RF power amplifier protection.
- ▶ Digital, Satellite, Mobile Communication.
- ▶ Medical, Communication, Security.
- ▶ Military, Space and Commercial applications.

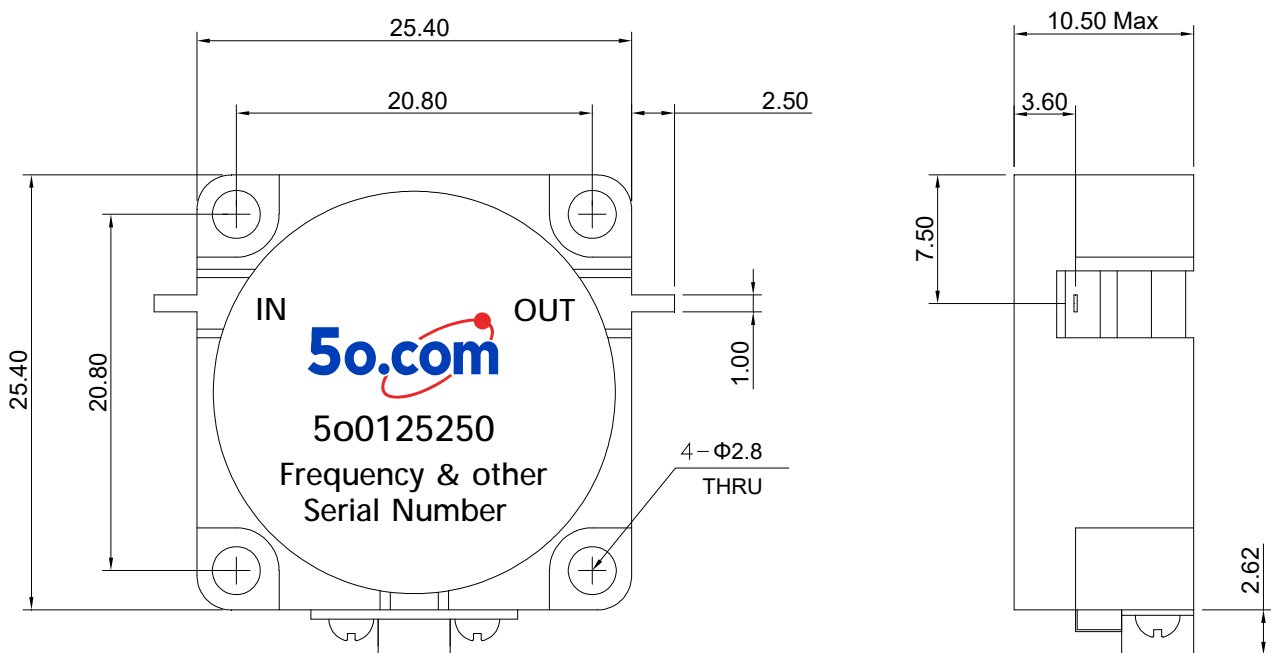
RF Characteristics

Part Number	Frequency Range (MHz)	Isolation Min(dB)	VSWR Max	Insertion Loss Max(dB)	Connector Type	Temp.(°C)
5o0125250210220	210 ~ 220	18	1.3	0.6	TAB	-40 ~ +85
5o0125250220230	220 ~ 230	18	1.3	0.5	TAB	-40 ~ +85
5o0125250250270	250 ~ 270	18	1.3	0.5	TAB	-40 ~ +85
5o0125250300320	300 ~ 320	20	1.25	0.5	TAB	-40 ~ +85
5o0125250350370	350 ~ 370	20	1.25	0.4	TAB	-40 ~ +85
5o0125250380460	380 ~ 460	17	1.35	0.5	TAB	-40 ~ +85
5o0125250400470	400 ~ 470	18	1.3	0.5	TAB	-40 ~ +85
5o0125250410425	410 ~ 425	25	1.15	0.3	TAB	-40 ~ +85
5o0125250430470	430 ~ 470	20	1.25	0.4	TAB	-40 ~ +85
5o0125250450512	450 ~ 512	20	1.25	0.5	TAB	-40 ~ +85
5o0125250490510	490 ~ 510	25	1.15	0.25	TAB	-40 ~ +85
5o0125250600700	600 ~ 700	21	1.2	0.3	TAB	-40 ~ +85
5o0125250700803	700 ~ 803	23	1.2	0.3	TAB	-40 ~ +85
5o01252508001000	800 ~ 1000	19	1.25	0.4	TAB	-40 ~ +85
5o0125250860960	860 ~ 960	23	1.25	0.3	TAB	-40 ~ +85
5o0125250869894	869 ~ 894	25	1.15	0.2	TAB	-40 ~ +85
5o0125250925960	925 ~ 960	25	1.15	0.2	TAB	-40 ~ +85
5o01252509501250	950 ~ 1250	18	1.3	0.5	TAB	-40 ~ +85
5o012525011501650	1150 ~ 1650	15	1.45	0.5	TAB	-40 ~ +85
5o012525012001400	1200 ~ 1400	23	1.2	0.3	TAB	-40 ~ +85
5o012525013001800	1300 ~ 1800	16	1.4	0.5	TAB	-40 ~ +85
5o012525015001700	1500 ~ 1700	23	1.2	0.3	TAB	-40 ~ +85
5o012525017102170	1710 ~ 2170	20	1.25	0.4	TAB	-40 ~ +85
5o012525018051880	1805 ~ 1880	25	1.15	0.2	TAB	-40 ~ +85
5o012525019201990	1920 ~ 1990	25	1.15	0.2	TAB	-40 ~ +85
5o012525020002500	2000 ~ 2500	20	1.25	0.5	TAB	-40 ~ +85
5o012525023002500	2300 ~ 2500	25	1.15	0.25	TAB	-40 ~ +85
5o012525023002700	2300 ~ 2700	23	1.2	0.3	TAB	-40 ~ +85
5o012525024002600	2400 ~ 2600	25	1.15	0.25	TAB	-40 ~ +85
5o012525024962690	2496 ~ 2690	25	1.15	0.25	TAB	-40 ~ +85
5o012525025002700	2500 ~ 2700	25	1.15	0.25	TAB	-40 ~ +85
5o012525027003100	2700 ~ 3100	23	1.2	0.25	TAB	-40 ~ +85
5o012525030003600	3000 ~ 3600	20	1.25	0.3	TAB	-40 ~ +85

Basic Specifications

Dimension	25.4*25.4*10.5mm
Forward Power	200W
Reverse Power	30W
Connector Type	TAB
Storage Temperature	-40°C~+125°C
Impedance	50Ω

Overall Dimension(mm)



Instructions

Tolerances: ±2% unless otherwise stated.

- ◆ It can be dual junction or multiple for high isolation.
- ◆ Installing the embedded isolator/circulator, please use stainless steel or brass screws.
- ◆ Only some common frequencies in the table can be produced according to the user's requirements.
- ◆ It supports a one-year standard warranty.