

Drop in Isolator 0.6 ~ 5.0GHz

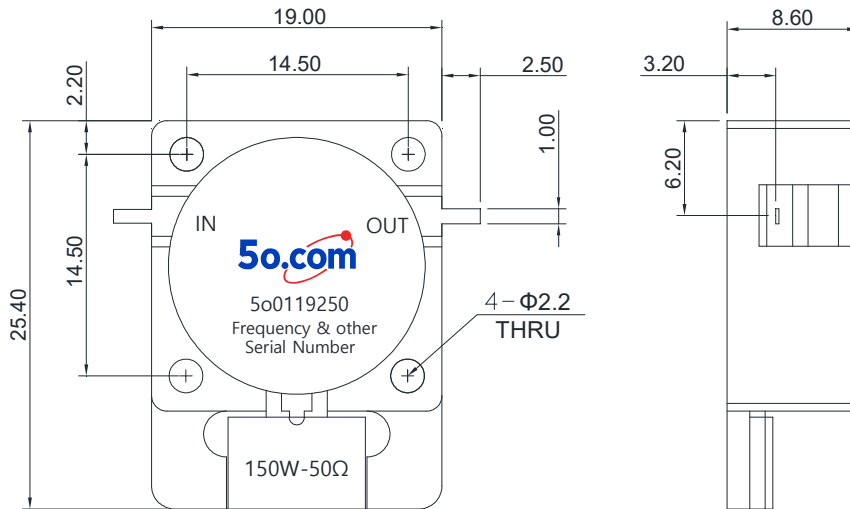
Application

- ▶ RF power amplifier protection.
- ▶ Digital, Satellite, Mobile Communication.
- ▶ Medical, Communication, Security.
- ▶ Military, Space and Commercial applications.

RF Characteristics(Reverse Power 100W)

Part Number	Frequency Range (MHz)	Isolation Min(dB)	VSWR Max	Insertion Loss Max(dB)	Forward Power(W)	Reverse Power(W)
5o0119250617698	617 ~ 698	20	1.25	0.4	100	100
5o0119250703803	703 ~ 803	18	1.3	0.5	100	100
5o0119250824894	824 ~ 894	20	1.25	0.4	100	100
5o0119250860960	860 ~ 960	20	1.25	0.4	100	100
5o0119250925960	925 ~ 960	23	1.2	0.3	100	100
5o011925010701210	1070 ~ 1210	20	1.25	0.4	100	100
5o011925014501550	1450 ~ 1550	23	1.2	0.3	100	100
5o011925015001700	1500 ~ 1700	23	1.2	0.3	100	100
5o011925017102170	1710 ~ 2170	16	1.4	0.6	100	100
5o011925018051880	1805 ~ 1880	25	1.15	0.25	100	100
5o011925019201990	1920 ~ 1990	25	1.15	0.25	100	100
5o011925020002400	2000 ~ 2400	20	1.25	0.4	100	100
5o011925021102170	2110 ~ 2170	25	1.15	0.25	100	100
5o011925023002500	2300 ~ 2500	23	1.2	0.3	100	100
5o011925024002600	2400 ~ 2600	23	1.2	0.3	100	100
5o011925024962690	2496 ~ 2690	23	1.2	0.3	100	100
5o011925025002700	2500 ~ 2700	23	1.2	0.3	100	100
5o011925027003100	2700 ~ 3100	23	1.2	0.3	100	100
5o011925027003500	2700 ~ 3500	18	1.3	0.5	100	100
5o011925031503250	3150 ~ 3250	25	1.15	0.25	100	100
5o011925033003600	3300 ~ 3600	23	1.2	0.3	100	100
5o011925035004500	3500 ~ 4500	18	1.3	0.5	100	100
5o011925036003800	3600 ~ 3800	23	1.2	0.3	100	100
5o011925039004200	3900 ~ 4200	23	1.2	0.3	100	100
5o011925039004500	3900 ~ 4500	20	1.25	0.4	100	100
5o011925040004500	4000 ~ 4500	20	1.2	0.35	100	100
5o011925044005000	4400 ~ 5000	20	1.25	0.4	100	100

Overall Dimension(mm)



Tolerances: $\pm 2\%$ unless otherwise stated.

RF Characteristics (Reverse Power 20dB/30dB 100W)

Part Number	Frequency Range (MHz)	Isolation Min(dB)	VSWR Max	Insertion Loss Max(dB)	Forward Power(W)	Reverse Power(W)
5o011925061769830	617 ~ 698	20	1.25	0.4	100	30dB 100W
5o011925070380330	703 ~ 803	18	1.3	0.5	100	30dB 100W
5o011925082489430	824 ~ 894	20	1.25	0.4	100	30dB 100W
5o011925086096020	860 ~ 960	20	1.25	0.4	100	20dB 100W
5o011925092596020	925 ~ 960	23	1.2	0.3	100	20dB 100W
5o01192501070121030	1070 ~ 1210	20	1.25	0.4	100	30dB 100W
5o01192501200140030	1200 ~ 1400	22	1.2	0.3	100	30dB 100W
5o01192501500170030	1500 ~ 1700	23	1.2	0.3	100	30dB 100W
5o01192501710217020	1710 ~ 2170	16	1.4	0.6	100	20dB 100W
5o01192501805188020	1805 ~ 1880	25	1.15	0.25	100	20dB 100W
5o01192501920199030	1920 ~ 1990	25	1.15	0.25	100	30dB 100W
5o01192502000240030	2000 ~ 2400	20	1.25	0.4	100	30dB 100W
5o01192502110217030	2110 ~ 2170	25	1.15	0.25	100	30dB 100W
5o01192502300250030	2300 ~ 2500	23	1.2	0.3	100	30dB 100W
5o01192502400260030	2400 ~ 2600	23	1.2	0.3	100	30dB 100W
5o01192502496269030	2496 ~ 2690	23	1.2	0.3	100	30dB 100W
5o01192502500270030	2500 ~ 2700	23	1.2	0.3	100	30dB 100W
5o01192502700310030	2700 ~ 3100	23	1.2	0.3	100	30dB 100W
5o01192502700350030	2700 ~ 3500	18	1.3	0.5	100	30dB 100W
5o01192503150325030	3150 ~ 3250	25	1.15	0.25	100	30dB 100W
5o01192503300360030	3300 ~ 3600	23	1.2	0.3	100	30dB 100W
5o01192503500450030	3500 ~ 4500	18	1.3	0.5	100	30dB 100W
5o01192503600380030	3600 ~ 3800	23	1.2	0.3	100	30dB 100W
5o01192503900420030	3900 ~ 4200	23	1.2	0.3	100	30dB 100W
5o01192503900450030	3900 ~ 4500	20	1.25	0.4	100	30dB 100W
5o01192504000450030	4000 ~ 4500	20	1.2	0.35	100	30dB 100W
5o01192504400500030	4400 ~ 5000	20	1.25	0.4	100	30dB 100W

