

# Drop in Isolator 17.0 ~ 27.5GHz

## Application

- ▶ RF power amplifier protection.
- ▶ Digital, Satellite, Mobile Communication.

- ▶ Medical, Communication, Security.
- ▶ Military, Space and Commercial applications.

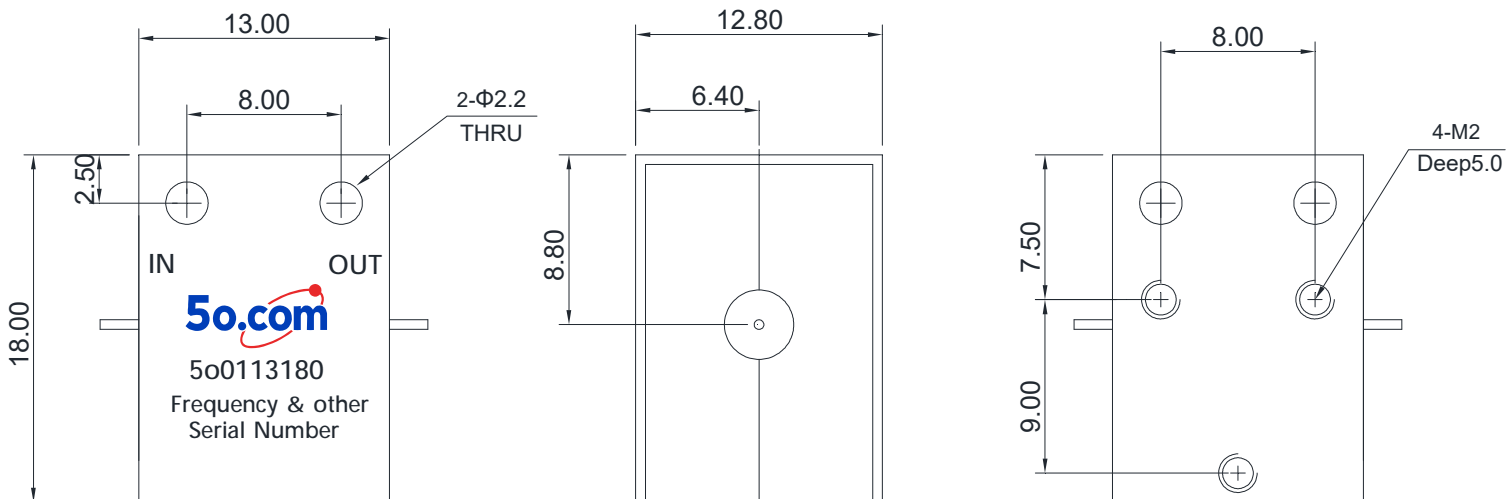
## RF Characteristics

Part Number	Frequency Range (GHz)	Isolation Min(dB)	VSWR Max	Insertion Loss Max(dB)	Connector Type
5o0113180177212	17.7 ~ 21.2	18	1.3	0.6	TAB
5o01131801822	18.0 ~ 22.0	18	1.3	0.6	TAB
5o01131802123	21.0 ~ 23.0	20	1.25	0.5	TAB
5o01131802224	22.0 ~ 24.0	20	1.25	0.5	TAB
5o01131802325	23.0 ~ 25.0	20	1.25	0.5	TAB
5o01131802426	24.0 ~ 26.0	20	1.25	0.5	TAB
5o01131802425275	24.25 ~ 27.5	18	1.3	0.6	TAB
5o01131802527	25.0 ~ 27.0	20	1.25	0.5	TAB

## Basic Specifications

Dimension	13*18*12.8mm	Impedance	50Ω
Reverse Power	5W	Operating Temperature	-40 ~ +85°C
Forward Power	30W	Storage Temperature	-55~+125°C

## Overall Dimension(mm)



## Instructions

Tolerances:  $\pm 2\%$  unless otherwise stated.

- ◆ It can be dual junction or multiple for high isolation.
- ◆ Installing the embedded isolator/circulator, please use stainless steel or brass screws.
- ◆ Only some common frequencies in the table can be produced according to the user's requirements.
- ◆ It supports a one-year standard warranty.