

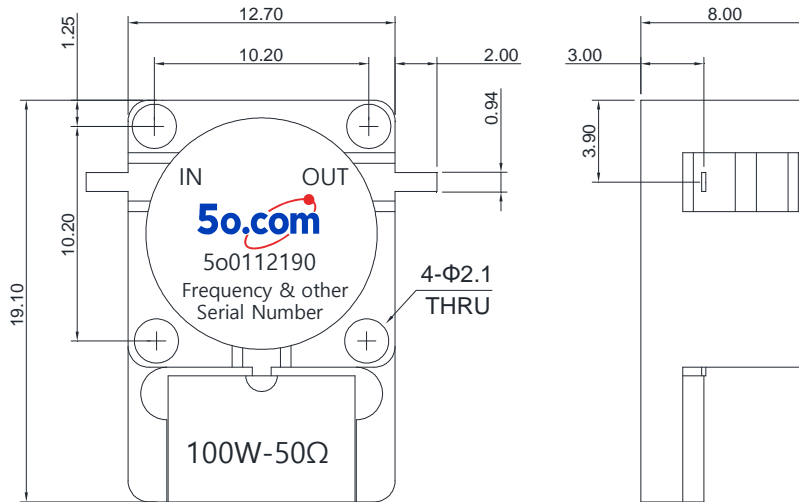
## Drop in Isolator 0.7 ~ 10.0GHz

### Application

- ▶ RF power amplifier protection.
- ▶ Digital, Satellite, Mobile Communication.
- ▶ Medical, Communication, Security.
- ▶ Military, Space and Commercial applications.

### RF Characteristics (Reverse Power 100W)

Part Number	Frequency Range (MHz)	Isolation Min(dB)	VSWR Max	Insertion Loss Max(dB)	Forward Power(W)	Reverse Power(W)
5o0112190703748	703 ~ 748	18	1.4	0.7	100	100
5o0112190758803	758 ~ 803	18	1.4	0.6	100	100
5o0112190791862	791 ~ 862	16	1.4	0.7	100	100
5o0112190824894	824 ~ 894	18	1.3	0.55	100	100
5o0112190880960	880 ~ 960	18	1.3	0.5	100	100
5o01121909901130	990 ~ 1130	15	1.5	0.7	100	100
5o011219012301350	1230 ~ 1350	18	1.3	0.4	100	100
5o011219017101785	1710 ~ 1785	23	1.2	0.3	100	100
5o011219018052170	1805 ~ 2170	18	1.3	0.5	100	100
5o011219018051880	1805 ~ 1880	23	1.2	0.3	100	100
5o011219019201990	1920 ~ 1990	23	1.2	0.3	100	100
5o011219021102170	2110 ~ 2170	23	1.2	0.3	100	100
5o011219023002500	2300 ~ 2500	23	1.2	0.3	100	100
5o011219024002600	2400 ~ 2600	23	1.2	0.3	100	100
5o011219024962690	2496 ~ 2690	23	1.2	0.3	100	100
5o011219025002700	2500 ~ 2700	23	1.2	0.3	100	100
5o011219027003100	2700 ~ 3100	21	1.2	0.4	100	100
5o011219029003300	2900 ~ 3300	20	1.25	0.4	100	100
5o011219031003600	3100 ~ 3600	20	1.25	0.4	100	100
5o011219033003600	3300 ~ 3600	23	1.2	0.3	100	100
5o011219037004000	3700 ~ 4000	23	1.2	0.3	100	100
5o011219042004400	4200 ~ 4400	21	1.2	0.3	100	100
5o011219044005000	4400 ~ 5000	20	1.25	0.4	100	100
5o011219048005000	4800 ~ 5000	23	1.2	0.3	100	100
5o011219050005500	5000 ~ 5500	23	1.2	0.3	100	100
5o011219050006000	5000 ~ 6000	18	1.3	0.5	100	100
5o011219057005900	5700 ~ 5900	23	1.2	0.3	100	100

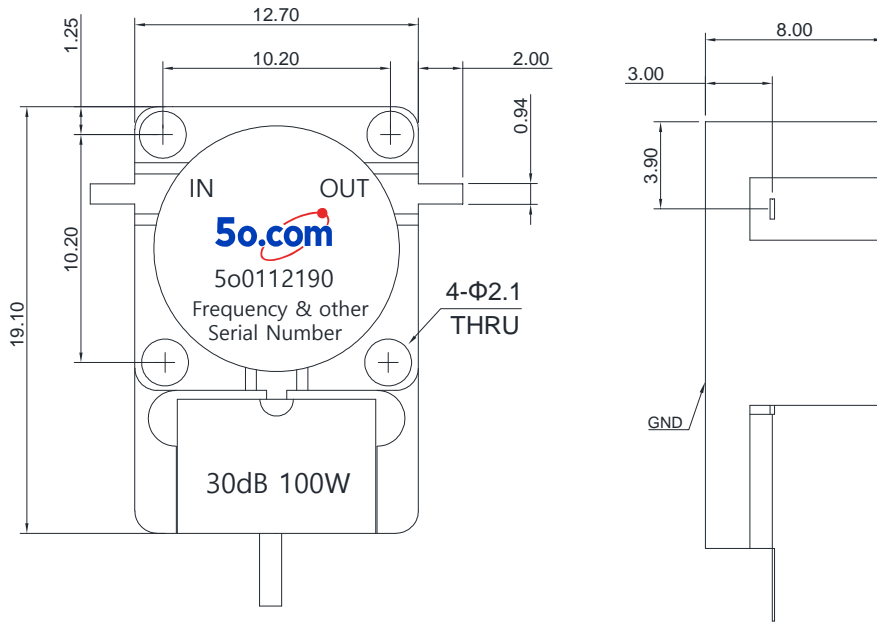
**Overall Dimension(mm)**


Tolerances: ±2% unless otherwise stated.

**RF Characteristics (Reverse Power 20dB/30dB 100W)**

Part Number	Frequency Range (MHz)	Isolation Min(dB)	VSWR Max	Insertion Loss Max(dB)	Forward Power(W)	Reverse Power(W)
5o011219070374830	703 ~ 748	18	1.4	0.7	100	30dB 100W
5o011219075880330	758 ~ 803	18	1.4	0.6	100	30dB 100W
5o011219079186230	791 ~ 862	16	1.4	0.7	100	30dB 100W
5o011219082489430	824 ~ 894	18	1.3	0.55	100	30dB 100W
5o011219088096030	880 ~ 960	18	1.3	0.5	100	30dB 100W
5o0112190990113020	990 ~ 1130	15	1.5	0.7	100	20dB 100W
5o01121901230135030	1230 ~ 1350	18	1.3	0.4	100	30dB 100W
5o01121901710178520	1710 ~ 1785	23	1.2	0.3	100	20dB 100W
5o01121901805217030	1805 ~ 2170	18	1.3	0.5	100	30dB 100W
5o01121901805188030	1805 ~ 1880	23	1.2	0.3	100	30dB 100W
5o01121901920199030	1920 ~ 1990	23	1.2	0.3	100	30dB 100W
5o01121902110217030	2110 ~ 2170	23	1.2	0.3	100	30dB 100W
5o01121902300250030	2300 ~ 2500	23	1.2	0.3	100	30dB 100W
5o01121902400260030	2400 ~ 2600	23	1.2	0.3	100	30dB 100W
5o01121902496269030	2496 ~ 2690	23	1.2	0.3	100	30dB 100W
5o01121902500270020	2500 ~ 2700	23	1.2	0.3	100	20dB 100W
5o01121902700310030	2700 ~ 3100	21	1.2	0.4	100	30dB 100W
5o01121902900330030	2900 ~ 3300	20	1.25	0.4	100	30dB 100W
5o01121903100360030	3100 ~ 3600	20	1.25	0.4	100	30dB 100W
5o01121903300360030	3300 ~ 3600	23	1.2	0.3	100	30dB 100W
5o01121903700400030	3700 ~ 4000	23	1.2	0.3	100	30dB 100W
5o01121904200440030	4200 ~ 4400	21	1.2	0.3	100	30dB 100W
5o01121904400500030	4400 ~ 5000	20	1.25	0.4	100	30dB 100W
5o01121904800500030	4800 ~ 5000	23	1.2	0.3	100	30dB 100W
5o01121905000550030	5000 ~ 5500	23	1.2	0.3	100	30dB 100W
5o01121905000600030	5000 ~ 6000	18	1.3	0.5	100	30dB 100W
5o01121905700590030	5700 ~ 5900	23	1.2	0.3	100	30dB 100W

## Overall Dimension(mm)



Tolerances:  $\pm 2\%$  unless otherwise stated.

## Basic Specifications

Dimension	12.7*19.1*8mm
Connector Type	TAB
Operating Temperature	-40 ~ +85°C
Storage Temperature	-55°C~+125°C
Impedance	50Ω

## Instructions

- ◆ It can be dual junction or multiple for high isolation.
- ◆ For the third stage, you can select a 100W load, a 20dB attenuator, or a 30dB attenuator.
- ◆ Installing the embedded isolator/circulator, please use stainless steel or brass screws.
- ◆ Only some common frequencies in the table can be produced according to the user's requirements.
- ◆ It supports a one-year standard warranty.