

Coaxial Isolator 225 ~ 400MHz

Application

- ▶ RF power amplifier protection.
- ▶ Digital, Satellite, Mobile Communication.
- ▶ Military, Space and Commercial applications.
- ▶ Medical, Communication, Security.

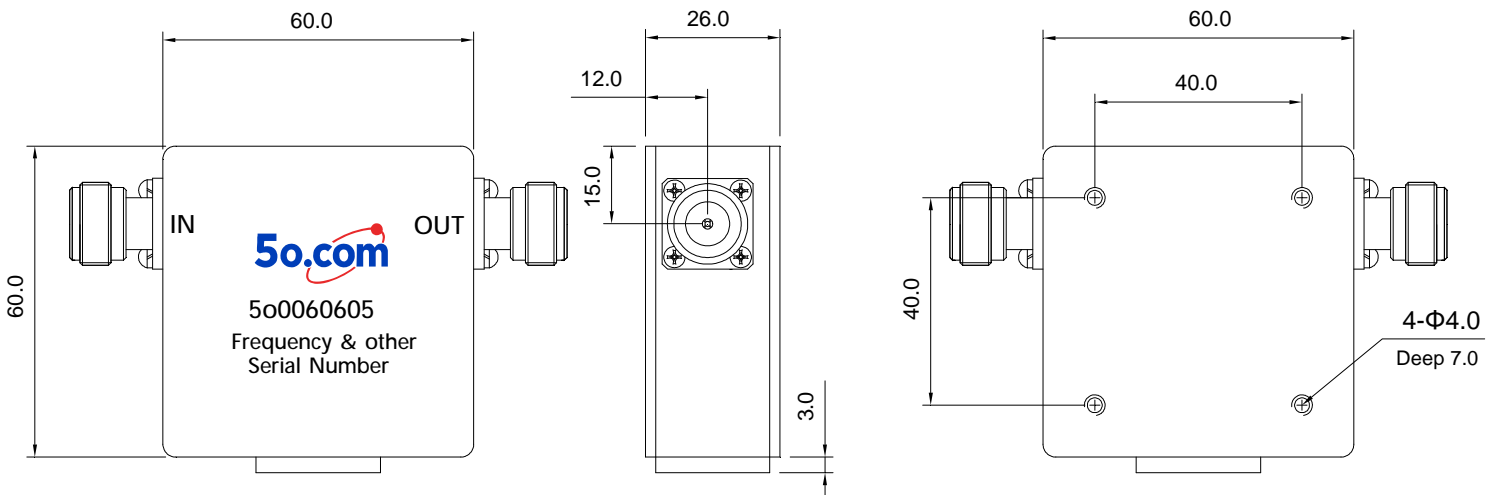
RF Characteristics

Part Number	Frequency Range (MHz)	Isolation Min(dB)	VSWR Max	Insertion Loss Max(dB)	Connector Type	Temp.(°C)
5o0060605225400NK	225 ~ 400	18	1.3	0.8	N Female	0 ~ +60
		16	1.4	1.0		-40 ~ +85
5o0060605225400SK	225 ~ 400	18	1.3	0.8	SMA Female	0 ~ +60
		16	1.4	1.0		-40 ~ +85

Basic Specifications

Dimension	60*60*28mm	Impedance	50Ω
Forward Power	160W	Operating Temperature	-40 ~ +80°C
Reverse Power	50W	Storage Temperature	-55~+125°C

Overall Dimension(mm)



Instructions

Tolerances: ±2% unless otherwise stated.

- ◆ It can be dual junction or multiple for high isolation.
- ◆ The connector can be selected according to requirements, Connect type (SMA Male/Female, N Male/ Female, etc.)
- ◆ Only some common frequencies in the table can be produced according to the user's requirements.
- ◆ It supports a one-year standard warranty.