

Coaxial Isolator 45 ~ 270MHz

Application

- ▶ RF power amplifier protection.
- ▶ Digital, Satellite, Mobile Communication.

- ▶ Medical, Communication, Security.
- ▶ Military, Space and Commercial applications.

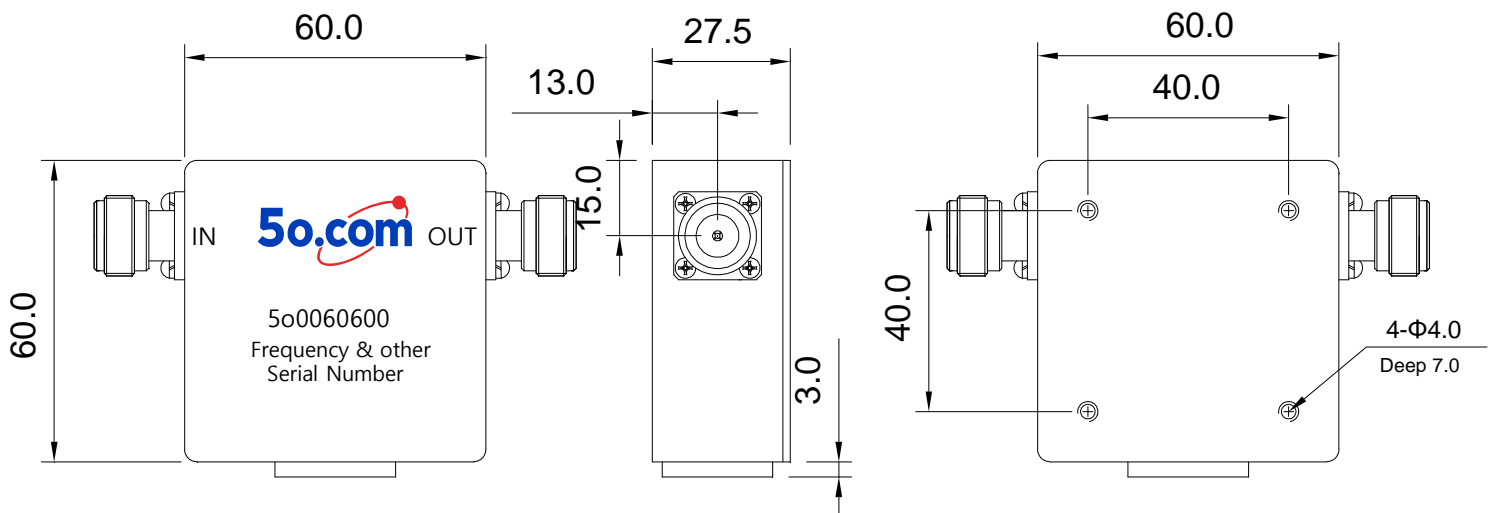
RF Characteristics

Part Number	Frequency Range (MHz)	Isolation Min(dB)	VSWR Max	Insertion Loss Max(dB)	Connector Type	Temp.(°C)
5o00606004550SK	45 ~ 50	18	1.3	1.5	SMA Female	-10 ~ +65
5o00606004555SK	45 ~ 55	18	1.3	1.8	SMA Female	-10 ~ +65
5o00606005075SK	50 ~ 75	18	1.3	1.8	SMA Female	-10 ~ +65
5o00606005575SK	55 ~ 75	18	1.3	1.2	SMA Female	-10 ~ +65
5o00606006065NK	60 ~ 65	20	1.25	1	N Female	-10 ~ +65
5o00606006570NK	65 ~ 70	20	1.25	1	N Female	-10 ~ +65
5o00606006888SK	68 ~ 88	18	1.3	1.3	SMA Female	-20 ~ +65
5o00606007085SK	70 ~ 85	20	1.25	0.8	SMA Female	-20 ~ +65
5o00606007090NK	70 ~ 90	20	1.25	1	N Female	-20 ~ +65
5o006060080120SK	80 ~ 120	18	1.3	1	SMA Female	0 ~ +65
5o006060085135NK	85 ~ 135	18	1.3	1.2	N Female	-10 ~ +65
5o006060087108NK	87 ~ 108	20	1.25	0.6	N Female	-20 ~ +65
5o006060087108NKP200	87 ~ 108	20	1.25	0.6	N Female	-20 ~ +65
5o006060088138NK	88 ~ 138	18	1.3	1	N Female	-10 ~ +65
5o0060600100130NK	100 ~ 130	20	1.25	0.6	N Female	-30 ~ +70
5o0060600100150SK	100 ~ 150	18	1.3	1	SMA Female	-10 ~ +65
5o0060600108118NK	108 ~ 118	23	1.2	0.5	N Female	-30 ~ +70
5o0060600108118NKP200	108 ~ 118	23	1.2	0.5	N Female	-30 ~ +70
5o0060600112156NK	112 ~ 156	20	1.25	0.8	N Female	-30 ~ +70
5o0060600118137NK	118 ~ 137	23	1.2	0.5	N Female	-30 ~ +70
5o0060600118137NKP200	118 ~ 137	23	1.2	0.5	N Female	-30 ~ +70
5o0060600130180SK	130 ~ 180	20	1.25	0.6	SMA Female	-30 ~ +70
5o0060600136174SK	136 ~ 174	22	1.2	0.5	SMA Female	-30 ~ +70
5o0060600136174NKP200	136 ~ 174	22	1.2	0.5	N Female	-30 ~ +70
5o0060600148174NKP150	148 ~ 174	25	1.15	0.5	N Female	-30 ~ +70
5o0060600150200NK	150 ~ 200	20	1.25	0.6	N Female	-30 ~ +70
5o0060600150225SK	150 ~ 225	18	1.3	0.9	SMA Female	-30 ~ +70
5o0060600170200NK	170 ~ 200	20	1.25	0.5	N Female	-30 ~ +70
5o0060600170200NKP200	170 ~ 200	20	1.25	0.5	N Female	-30 ~ +70
5o0060600180220SJSK	180 ~ 220	20	1.25	0.5	SMA Male to SMA Female	-30 ~ +70
5o0060600200270NK	200 ~ 270	20	1.25	0.7	N Female	-30 ~ +70

Basic Specifications

Dimension	60*60*27.5mm
Forward Power	200W/100W
Reverse Power	50W
Connector Type	SMA (Male/Female), N(Male/Female)
Storage Temperature	-55°C~+125°C
Impedance	50Ω

Overall Dimension(mm)



Instructions

Tolerances: $\pm 2\%$ unless otherwise stated.

- ◆ It can be dual junction or multiple for high isolation.
- ◆ The connector can be selected according to requirements, Connect type (SMA Male/Female, N Male/ Female, etc.)
- ◆ Only some common frequencies in the table can be produced according to the user's requirements.
- ◆ It supports a one-year standard warranty.