

Coaxial Isolator 130 ~ 900MHz

Application

- ▶ RF power amplifier protection.
- ▶ Digital, Satellite, Mobile Communication.
- ▶ Medical, Communication, Security.
- ▶ Military, Space and Commercial applications.

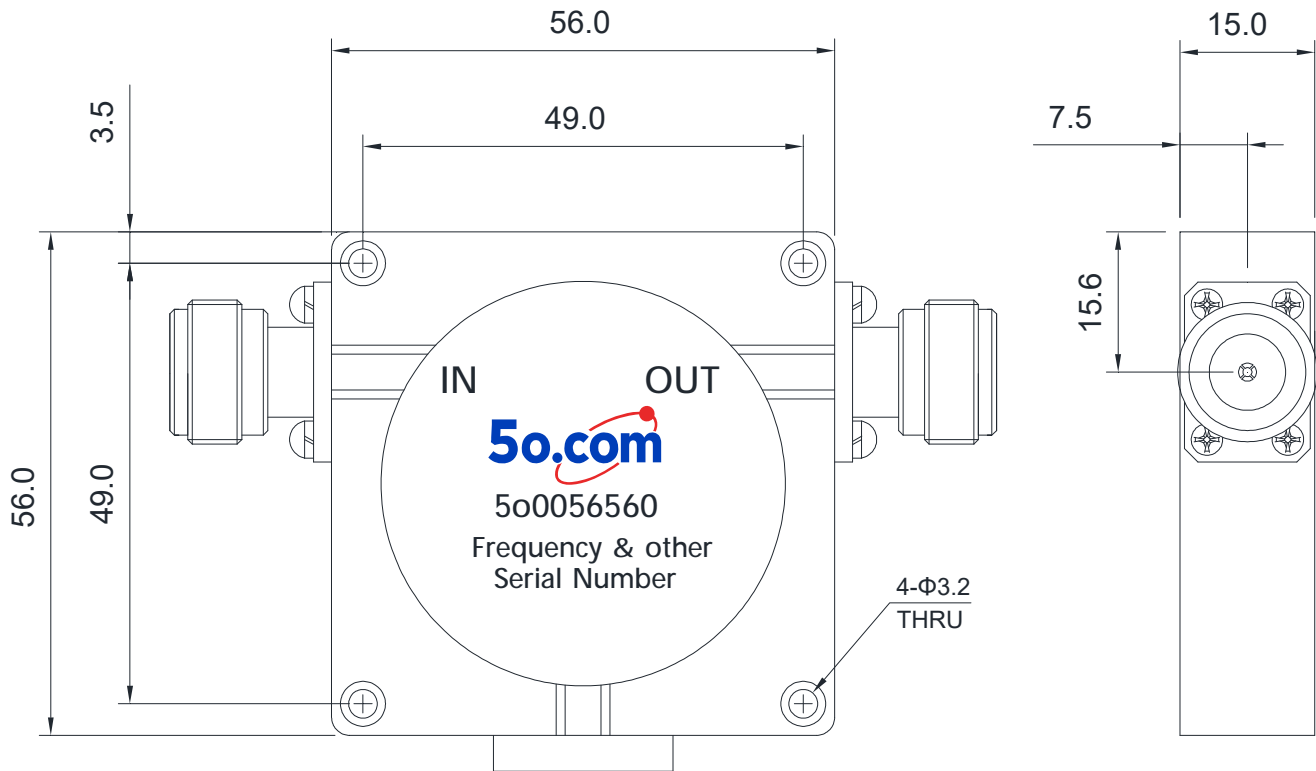
RF Characteristics

| Part Number | Frequency Range (MHz) | Isolation Min(dB) | VSWR Max | Insertion Loss Max(dB) | Connector Type | Temp.(°C) |
|-----------------------|-----------------------|-------------------|----------|------------------------|------------------------|-----------|
| 5o0056560136150NK | 136 ~ 150 | 18 | 1.3 | 0.5 | N Female | -10 ~ +60 |
| 5o0056560150155SK | 150 ~ 155 | 20 | 1.25 | 0.5 | SMA Female | -10 ~ +70 |
| 5o0056560150170SK | 150 ~ 170 | 18 | 1.3 | 0.6 | SMA Female | -10 ~ +70 |
| 5o0056560168171NK | 168 ~ 171 | 23 | 1.2 | 0.4 | N Female | -30 ~ +70 |
| 5o0056560170200SK | 170 ~ 200 | 18 | 1.3 | 0.7 | SMA Female | -30 ~ +70 |
| 5o0056560180220SK | 180 ~ 220 | 18 | 1.3 | 0.5 | SMA Female | -30 ~ +70 |
| 5o0056560192232NK | 192 ~ 232 | 20 | 1.25 | 0.4 | N Female | -30 ~ +70 |
| 5o005656019752075SJSK | 197.5 ~ 207.5 | 23 | 1.2 | 0.4 | SMA Male to SMA Female | -30 ~ +70 |
| 5o0056560200250SK | 200 ~ 250 | 20 | 1.25 | 0.6 | SMA Female | -30 ~ +70 |
| 5o0056560230250NK | 230 ~ 250 | 23 | 1.2 | 0.3 | N Female | -30 ~ +70 |
| 5o0056560250300SK | 250 ~ 300 | 20 | 1.25 | 0.4 | SMA Female | -30 ~ +70 |
| 5o0056560400600SK | 400 ~ 600 | 15 | 1.5 | 0.6 | SMA Female | -30 ~ +70 |
| 5o0056560500750SK | 500 ~ 750 | 16 | 1.4 | 0.5 | SMA Female | -30 ~ +70 |
| 5o0056560600900SK | 600 ~ 900 | 17 | 1.35 | 0.5 | SMA Female | -30 ~ +70 |

Basic Specifications

| | |
|---------------------|------------------------------------|
| Dimension | 56*56*15mm |
| Forward Power | 300W/100W |
| Reverse Power | 30W |
| Connector Type | SMA (Male/Female), N (Male/Female) |
| Storage Temperature | -55°C~+125°C |
| Impedance | 50Ω |

Overall Dimension(mm)



Instructions

Tolerances: ±2% unless otherwise stated.

- ◆ It can be dual junction or multiple for high isolation.
- ◆ The connector can be selected according to requirements, Connect type (SMA Male/Female, N Male/ Female, etc.)
- ◆ Only some common frequencies in the table can be produced according to the user's requirements.
- ◆ It supports a one-year standard warranty.