

Coaxial Isolator 1.35 ~ 2.7GHz

Application

- ▶ RF power amplifier protection.
- ▶ Digital, Satellite, Mobile Communication.
- ▶ Military, Space and Commercial applications.
- ▶ Medical, Communication, Security.

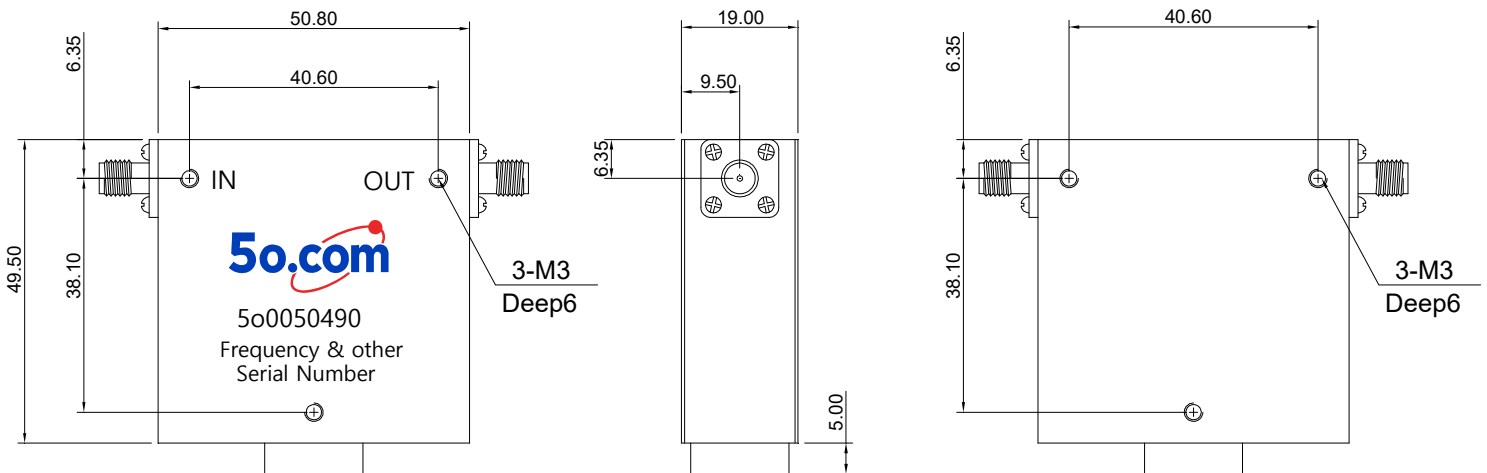
RF Characteristics

Part Number	Frequency Range (GHz)	Isolation Min(dB)	VSWR Max	Insertion Loss Max(dB)	Connector Type
5o005049013527SK	1.35 ~ 2.7	18	1.3	0.5	SMA Female
5o005049013527NK	1.35 ~ 2.7	18	1.3	0.5	N Female

Basic Specifications

Dimension	50.8*49.5*19mm	Impedance	50Ω
Forward Power	100W	Operating Temperature	0 ~ +70°C
Reverse Power	30W	Storage Temperature	-55~+125°C

Overall Dimension(mm)



Instructions

Tolerances: ±2% unless otherwise stated.

- ◆ It can be dual junction or multiple for high isolation.
- ◆ The connector can be selected according to requirements, Connect type (SMA Male/Female, N Male/ Female, etc.)
- ◆ Only some common frequencies in the table can be produced according to the user's requirements.
- ◆ It supports a one-year standard warranty.