

## Coaxial Isolator 200 ~ 1875MHz

### Application

- ▶ RF power amplifier protection.
- ▶ Digital, Satellite, Mobile Communication.
- ▶ Medical, Communication, Security.
- ▶ Military, Space and Commercial applications.

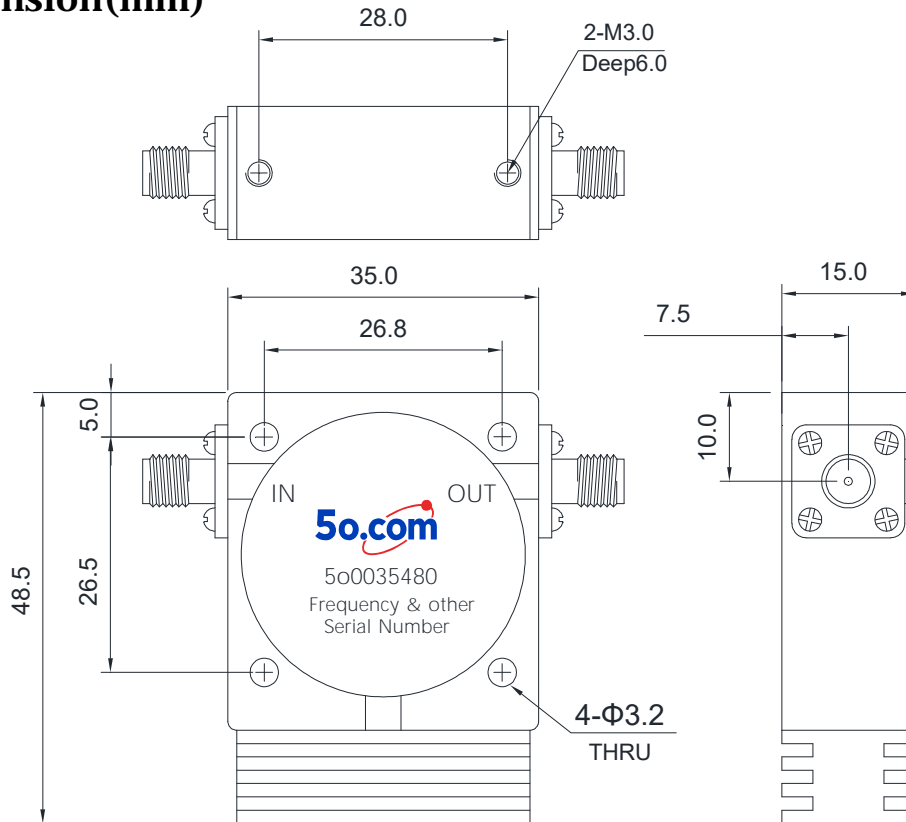
### RF Characteristics

Part Number	Frequency Range (MHz)	Isolation Min(dB)	VSWR Max	Insertion Loss Max(dB)	Connector Type	Temp.(°C)
5o0035480220240NK	220 ~ 240	18	1.3	0.65	N Female	-20 ~ +65
5o0035480240260NK	240 ~ 260	18	1.3	0.5	N Female	-20 ~ +65
5o0035480260280NK	260 ~ 280	20	1.25	0.5	N Female	-20 ~ +65
5o0035480309339NK	309 ~ 339	20	1.25	0.4	N Female	-20 ~ +65
5o0035480350370NK	350 ~ 370	21	1.2	0.35	N Female	-20 ~ +65
5o0035480380460SK	380 ~ 460	18	1.3	0.5	SMA Female	-20 ~ +65
5o0035480390410SK	390 ~ 410	23	1.2	0.3	SMA Female	-30 ~ +70
5o0035480400470SK	400 ~ 470	20	1.25	0.4	SMA Female	-30 ~ +70
5o0035480413419SK	413 ~ 419	35	1.15	0.3	SMA Female	-30 ~ +70
5o0035480413419NKNJ	413 ~ 419	35	1.15	0.3	N Female to N Male	-30 ~ +70
5o0035480419425NKNJ	419 ~ 425	35	1.15	0.3	N Female to N Male	-30 ~ +70
5o0035480450520NK	450 ~ 520	20	1.25	0.4	N Female	-20 ~ +65
5o0035480600800SK	600 ~ 800	19	1.25	0.5	SMA Female	-20 ~ +65
5o0035480700900SK	700 ~ 900	20	1.25	0.4	SMA Female	-30 ~ +70
5o00354807001000SK	700 ~ 1000	16	1.4	0.6	SMA Female	-20 ~ +65
5o0035480770860SK	770 ~ 860	23	1.2	0.3	SMA Female	-30 ~ +70
5o0035480860872SK	860 ~ 872	30	1.15	0.25	SMA Female	-20 ~ +65
5o0035480900930SK	900 ~ 930	30	1.15	0.2	SMA Female	-40 ~ +85
5o003548010001300NK	1000 ~ 1300	20	1.25	0.4	N Female	-30 ~ +70
5o003548011001700NK	1100 ~ 1700	15	1.45	0.5	N Female	-30 ~ +70
5o003548012961298NK	1296 ~ 1298	30	1.15	0.2	N Female	-30 ~ +70

## Basic Specifications

Dimension	35*48.5*15mm
Forward Power	100W
Reverse Power	100W
Connector Type	SMA (Male/Female), N (Male/Female)
Storage Temperature	-55°C~+125°C
Impedance	50Ω

## Overall Dimension(mm)



## Instructions

Tolerances:  $\pm 2\%$  unless otherwise stated.

- ◆ It can be dual junction or multiple for high isolation.
- ◆ The connector can be selected according to requirements, Connect type (SMA Male/Female, N Male/ Female, etc.)
- ◆ Only some common frequencies in the table can be produced according to the user's requirements.
- ◆ It supports a one-year standard warranty.