

## Coaxial Isolator 700 ~ 2000MHz

### Application

- ▶ RF power amplifier protection.
- ▶ Digital, Satellite, Mobile Communication.
- ▶ Medical, Communication, Security.
- ▶ Military, Space and Commercial applications.

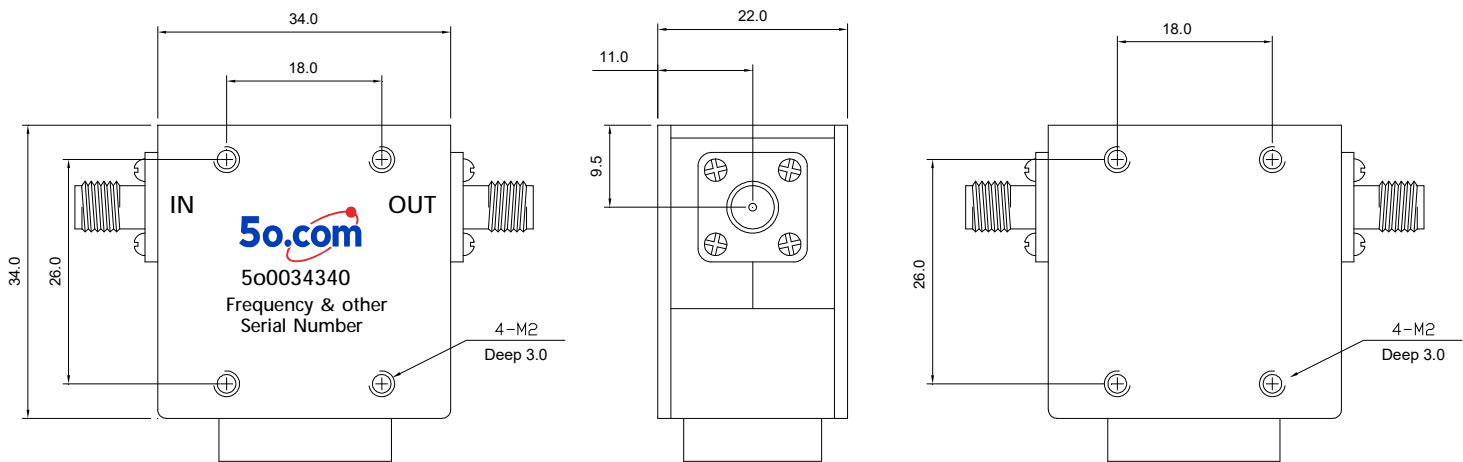
### RF Characteristics

Part Number	Frequency Range (MHz)	Isolation Min(dB)	VSWR Max	Insertion Loss Max(dB)	Connector Type	Temp.(°C)
5o0034340700900SK	700 ~ 900	20	1.25	0.4	SMA Female	-30 ~ +70
5o00343408001000NK	800 ~ 1000	22	1.2	0.3	N Female	-30 ~ +70
5o00343408501150SJSK	850 ~ 1150	18	1.3	0.6	SMA Male to SMA Female	-30 ~ +70
5o0034340860960SK	860 ~ 960	23	1.2	0.25	SMA Female	-30 ~ +70
5o00343409001200SK	900 ~ 1200	20	1.25	0.5	SMA Female	-30 ~ +70
5o00343409001300SK	900 ~ 1300	18	1.3	0.6	SMA Female	-30 ~ +70
5o00343409501415SK	950 ~ 1415	18	1.4	0.6	SMA Female	0 ~ +60
5o00343409501450SK	950 ~ 1450	16	1.4	0.6	SMA Female	0 ~ +60
5o00343409601215NK	960 ~ 1215	20	1.25	0.3	N Female	-30 ~ +70
5o00343409601260SK	960 ~ 1260	18	1.3	0.3	SMA Female	-30 ~ +70
5o003434010001500SK	1000 ~ 1500	16	1.4	0.6	SMA Female	0 ~ +60
5o003434012251875SK	1225 ~ 1875	16	1.4	0.6	SMA Female	0 ~ +60
5o003434012901710SK	1290 ~ 1710	20	1.25	0.5	SMA Female	-40 ~ +85
5o003434013001740SK	1300 ~ 1740	20	1.25	0.5	SMA Female	-40 ~ +85
5o003434013001800SK	1300 ~ 1800	18	1.3	0.5	SMA Female	-40 ~ +85
5o003434013501850SK	1350 ~ 1850	18	1.3	0.5	SMA Female	-40 ~ +85

## Basic Specifications

<b>Dimension</b>	<b>34*34*22mm</b>
<b>Forward Power</b>	<b>100W</b>
<b>Reverse Power</b>	<b>30W</b>
<b>Connector Type</b>	<b>SMA(Male/Female), N(Male/Female)</b>
<b>Storage Temperature</b>	<b>-55°C~+125°C</b>
<b>Impedance</b>	<b>50Ω</b>

## Overall Dimension(mm)



## Instructions

Tolerances:  $\pm 2\%$  unless otherwise stated.

- ◆ It can be dual junction or multiple for high isolation.
- ◆ The connector can be selected according to requirements, Connect type (SMA Male/Female, N Male/ Female, etc.)
- ◆ Only some common frequencies in the table can be produced according to the user's requirements.
- ◆ It supports a one-year standard warranty.