

Coaxial Isolator 4.0 ~ 8.0GHz

Application

- ▶ RF power amplifier protection.
- ▶ Digital, Satellite, Mobile Communication.
- ▶ Medical, Communication, Security.
- ▶ Military, Space and Commercial applications.

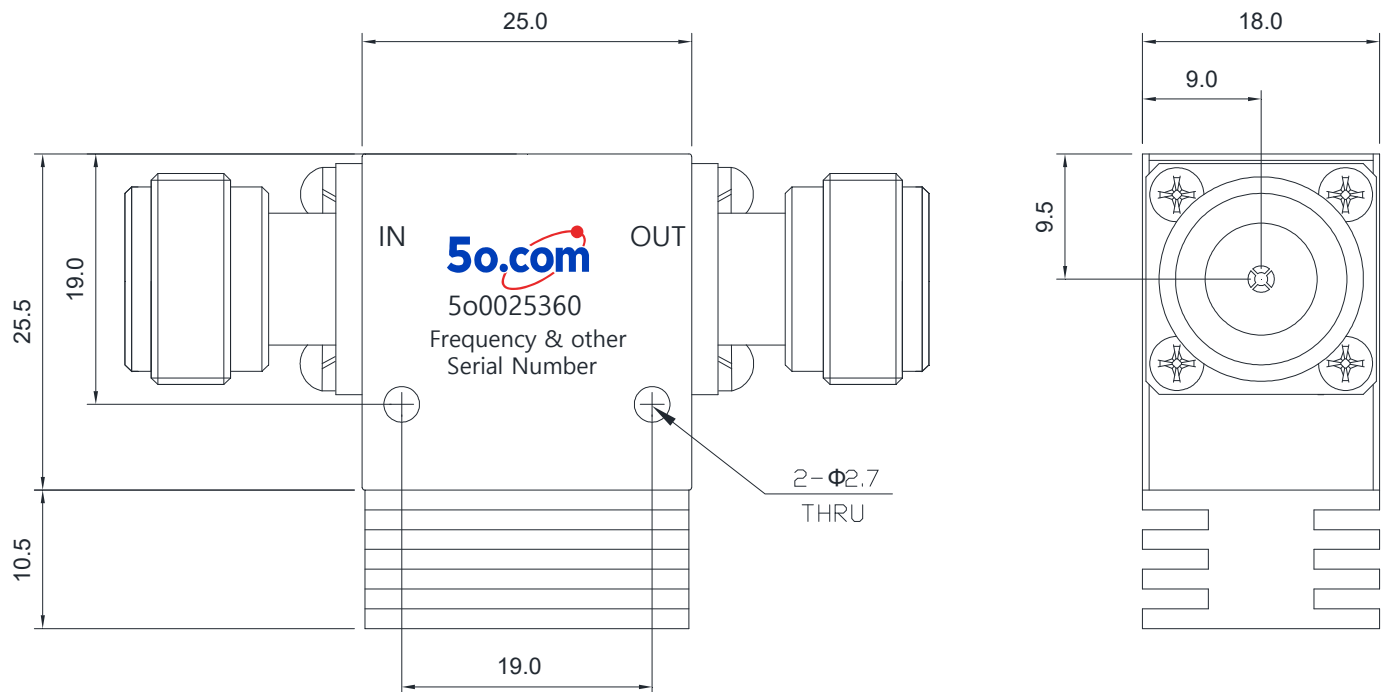
RF Characteristics

Part Number	Frequency Range (MHz)	Isolation Min(dB)	VSWR Max	Insertion Loss Max(dB)	Connector Type	Temp.(°C)
5o0025360445NK	4.0 ~ 4.5	20	1.25	0.4	N Female	-20 ~ +70
5o0025360455NK	4.5 ~ 5.0	23	1.2	0.35	N Female	-20 ~ +70
5o00253604751NK	4.7 ~ 5.1	23	1.2	0.35	N Female	-20 ~ +70
5o00253604859NK	4.8 ~ 5.9	20	1.25	0.5	N Female	-20 ~ +70
5o002536056NK	5.0 ~ 6.0	20	1.25	0.4	N Female	-20 ~ +70
5o00253605759NK	5.7 ~ 5.9	23	1.2	0.3	N Female	-20 ~ +70
5o00253605865NK	5.8 ~ 6.5	23	1.2	0.3	N Female	-20 ~ +70
5o0025360657NK	6.5 ~ 7.0	20	1.25	0.4	N Female	-20 ~ +70
5o002536078NK	7.0 ~ 8.0	20	1.25	0.4	N Female	-20 ~ +70

Basic Specifications

Dimension	25*36*18mm
Forward Power	300W
Reverse Power	100W
Connector Type	N(Male/Female)
Storage Temperature	-55°C~+125°C
Impedance	50Ω

Overall Dimension(mm)



Instructions

Tolerances: $\pm 2\%$ unless otherwise stated.

- ◆ It can be dual junction or multiple for high isolation.
- ◆ The connector can be selected according to requirements, Connect type (N Male/Female, etc.)
- ◆ Only some common frequencies in the table can be produced according to the user's requirements.
- ◆ It supports a one-year standard warranty.