

Coaxial Isolator 8.0 ~ 18.0GHz

Application

- Ø RF power amplifier protection.
- Ø Digital, Satellite, Mobile Communication.

- Ø Military, Space and Commercial applications.
- Ø Medical, Communication, Security.

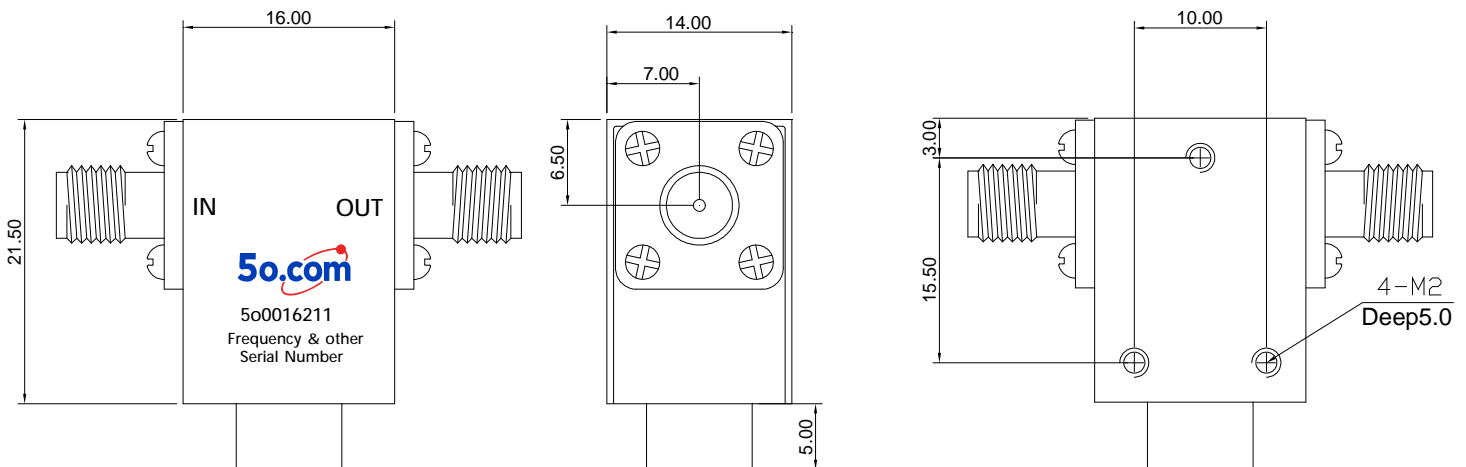
RF Characteristics

Part Number	Frequency Range (GHz)	Isolation Min(dB)	VSWR Max	Insertion Loss Max(dB)	Connector Type
5o0016211818SJSK	8.0 ~ 18.0	16	1.45	0.8	SMA Male to SMA Female
5o0016211818SK	8.0 ~ 18.0	16	1.45	0.8	SMA Female

Basic Specifications

Dimension	16*21.5*14mm	Impedance	50Ω
Forward Power	60W	Operating Temperature	-30 ~ +70°C
Reverse Power	10W	Storage Temperature	-55~+125°C

Overall Dimension(mm)



Instructions

Tolerances: ±2% unless otherwise stated.

- u It can be dual junction or multiple for high isolation.
- u The connector can be selected according to requirements, Connect type (SMA Male/Female, N Male/Female, etc.)
- u Only some common frequencies in the table can be produced according to the user's requirements.
- u It supports a one-year standard warranty.