

Coaxial Isolator 6.0 ~ 18.0GHz

Application

Ø RF power amplifier protection.
 Ø Digital, Satellite, Mobile Communication.

Ø Military, Space and Commercial applications.
 Ø Medical, Communication, Security.

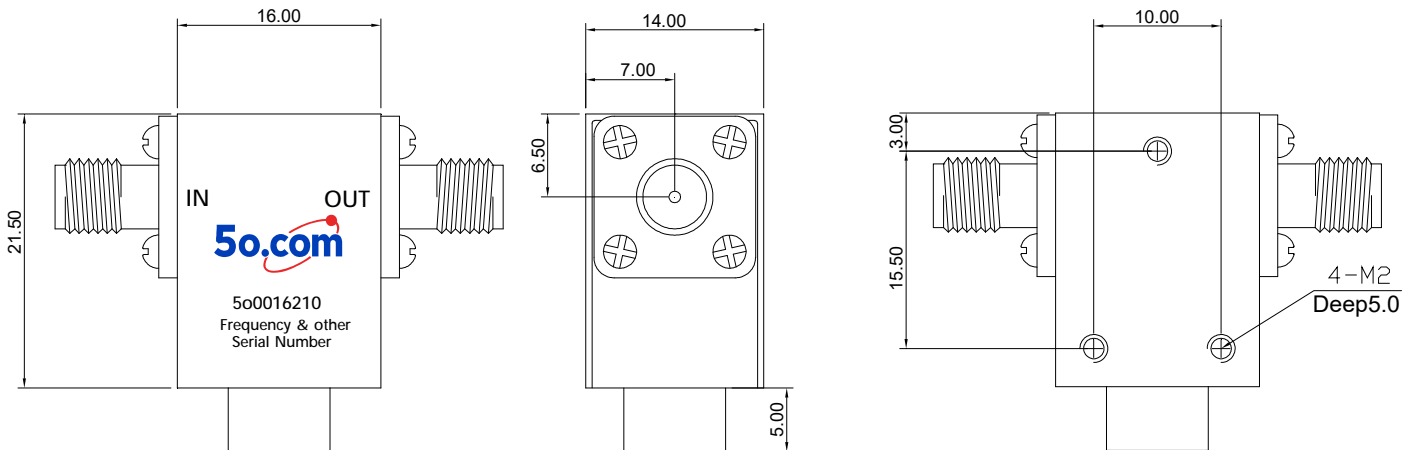
RF Characteristics

| Part Number | Frequency Range (GHz) | Isolation Min(dB) | VSWR Max | Insertion Loss Max(dB) | Connector Type |
|------------------|-----------------------|-------------------|----------|------------------------|------------------------|
| 5o0016210618SJSK | 6.0 ~ 18.0 | 10 | 1.9 | 1.5 | SMA Male to SMA Female |
| 5o0016210618SK | 6.0 ~ 18.0 | 10 | 1.9 | 1.5 | SMA Female |

Basic Specifications

| | | | |
|---------------|---------------|-----------------------|-------------|
| Dimension | 16*21.5*14 mm | Impedance | 50Ω |
| Forward Power | 60W | Operating Temperature | -30 ~ +70°C |
| Reverse Power | 10W | Storage Temperature | -55~+125°C |

Overall Dimension(mm)



Instructions

Tolerances: ±2% unless otherwise stated.

- It can be dual junction or multiple for high isolation.
- The connector can be selected according to requirements, Connect type (SMA Male/Female, N Male/Female, etc)
- Only some common frequencies in the table can be produced according to the user's requirements.
- It supports a one-year standard warranty.