

Coaxial Isolator 22.0 ~ 33.0GHz

Application

- Ø RF power amplifier protection.
- Ø Military, Space and Commercial applications.
- Ø Digital, Satellite, Mobile Communication.
- Ø Medical, Communication, Security.

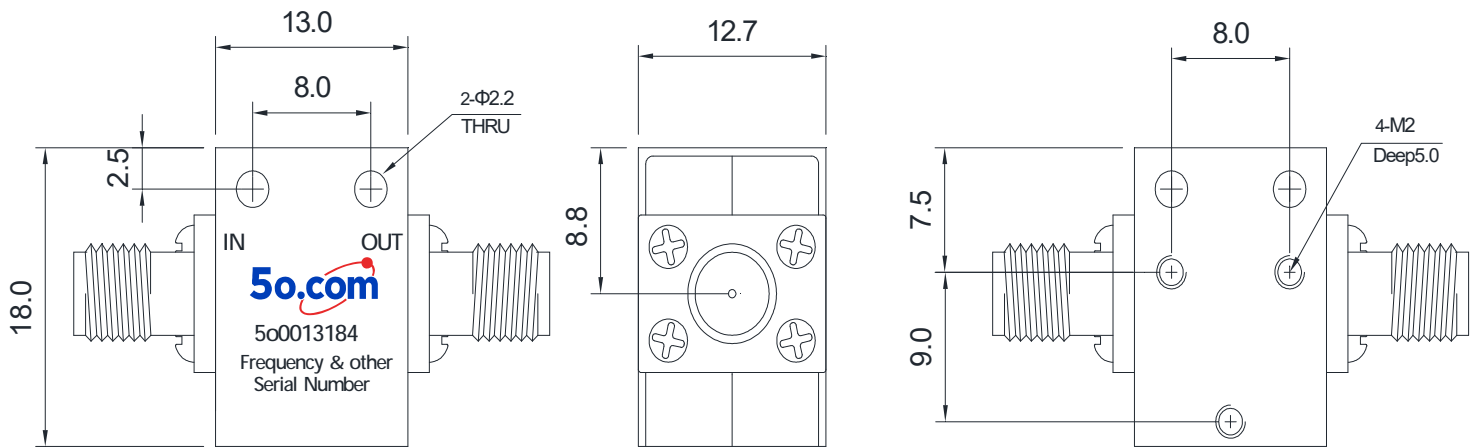
RF Characteristics

Part Number	Frequency Range (GHz)	Isolation Min(dB)	VSWR Max	Insertion Loss Max(dB)	Connector Type	Temp.(°C)
5o00131842233KK	22.0 ~ 33.0	16	1.4	0.9	2.92mm Female	+25±5
		15	1.5	1.0		-40 ~ +80
5o00131842233KJJK	22.0 ~ 33.0	16	1.4	0.9	2.92mm Male to	+25±5
		15	1.5	1.0	2.92mm Female	-40 ~ +80

Basic Specifications

Dimension	13*18*12.7mm	Impedance	50Ω
Forward Power	10W	Operating Temperature	-40 ~ +80°C
Reverse Power	10W	Storage Temperature	-55~+125°C

Overall dimension(mm)



Instructions

Tolerances: ±2% unless otherwise stated.

- u It can be dual junction or multiple for high isolation.
- u The connector can be selected according to requirements, Connect type (2.92mm Male/Female)
- u Only some common frequencies in the table can be produced according to the user's requirements.
- u It supports a one-year standard warranty.