

Coaxial Isolator 12.0 ~ 18.0GHz

Application

Ø RF power amplifier protection.
 Ø Digital, Satellite, Mobile Communication.

Ø Military, Space and Commercial applications.
 Ø Medical, Communication, Security.

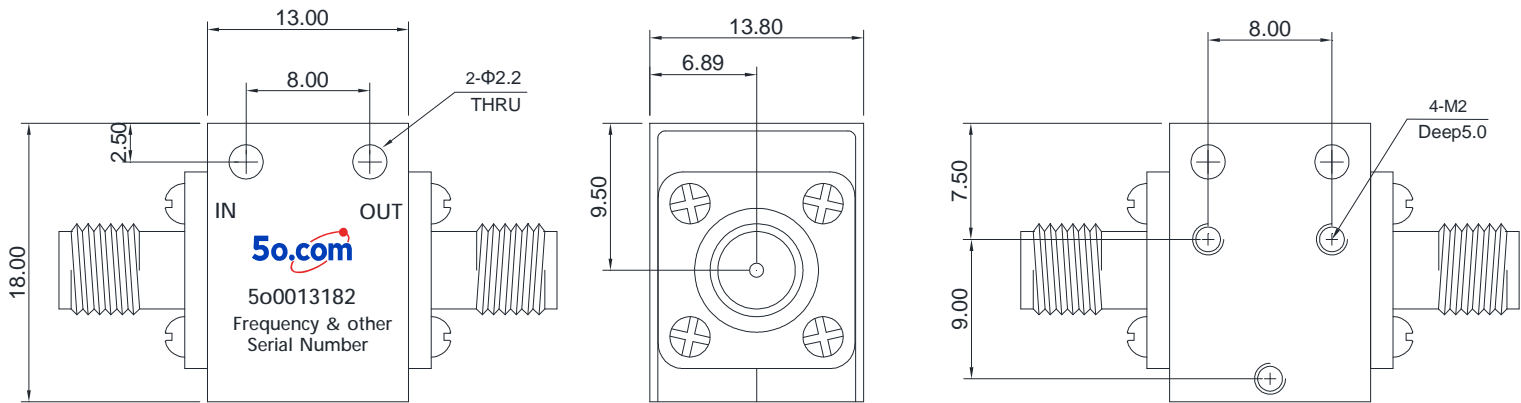
RF Characteristics

Part Number	Frequency Range (GHz)	Isolation Min(dB)	VSWR Max	Insertion Loss Max(dB)	Connector Type
5o00131821218SK	12.0 ~ 18.0	18	1.3	0.5	SMA Female
5o00131821218SJSK	12.0 ~ 18.0	18	1.3	0.5	SMA Male to SMA Female
5o00131821218SKSJ	12.0 ~ 18.0	18	1.3	0.5	SMA Female to SMA Male

Basic Specifications

Dimension	13*18*13.8mm	Impedance	50Ω
Forward Power	60W	Operating Temperature	-55 ~ +85°C
Reverse Power	10W	Storage Temperature	-55~+125°C

Overall Dimension(mm)



Instructions

Tolerances: ±2% unless otherwise stated.

- It can be dual junction or multiple for high isolation.
- The connector can be selected according to requirements, Connect type (SMA Male/Female, N Male/Female, etc.)
- Only some common frequencies in the table can be produced according to the user's requirements.
- It supports a one-year standard warranty.