

Coaxial Isolator 6.0 ~ 27.5GHz

Application

- ØRF power amplifier protection.
- ØDigital, Satellite, Mobile Communication.
- ØMedical, Communication, Security.
- ØMilitary, Space and Commercial applications.

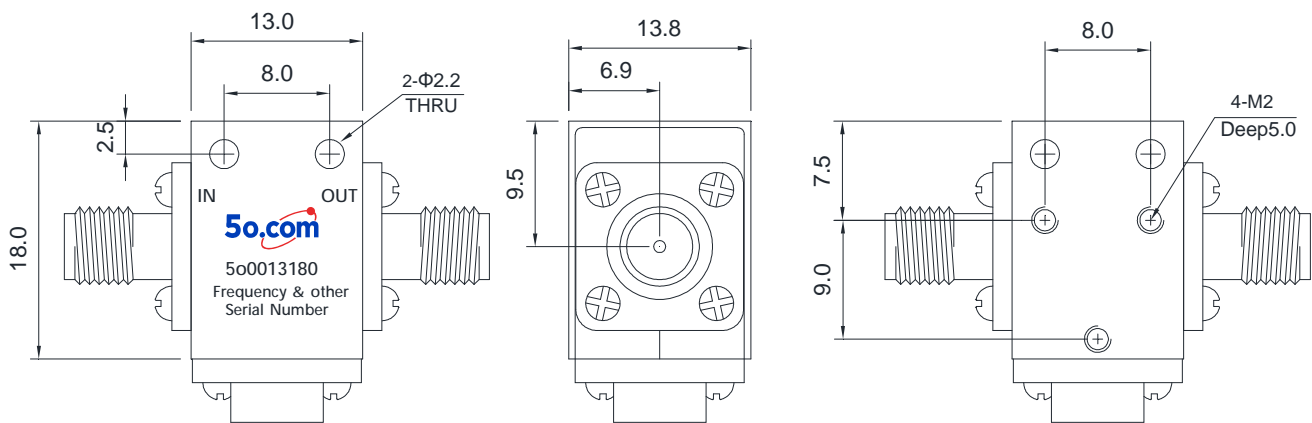
RF Characteristics

Part Number	Frequency Range (GHz)	Isolation Min(dB)	VSWR Max	Insertion Loss Max(dB)	Connector Type	Temp.(°C)
5o001318068SK	6.0 ~ 8.0	18	1.3	0.5	SMA Female	-55 ~ +85
5o001318079SK	7.0 ~ 9.0	20	1.25	0.5	SMA Female	-55 ~ +85
5o00131807477SK	7.4 ~ 7.7	23	1.2	0.3	SMA Female	-55 ~ +85
5o00131807886SK	7.8 ~ 8.6	23	1.2	0.3	SMA Female	-55 ~ +85
5o0013180810SK	8.0 ~ 10.0	20	1.2	0.4	SMA Female	-55 ~ +85
5o0013180811SK	8.0 ~ 11.0	20	1.25	0.4	SMA Female	-55 ~ +85
5o0013180812SK	8.0 ~ 12.0	18	1.3	0.5	SMA Female	-55 ~ +85
5o0013180910SK	9.0 ~ 10.0	23	1.2	0.3	SMA Female	-55 ~ +85
5o0013180911SK	9.0 ~ 11.0	20	1.2	0.4	SMA Female	-55 ~ +85
5o00131809395SJ	9.3 ~ 9.5	23	1.2	0.3	SMA Male	-55 ~ +85
5o00131801013SK	10.0 ~ 13.0	21	1.2	0.4	SMA Female	-55 ~ +85
5o00131801015SKSJ	10.0 ~ 15.0	18	1.35	0.6	SMA Female to SMA Male	-55 ~ +85
5o0013180107133SKSJ	10.7 ~ 13.3	23	1.2	0.35	SMA Female to SMA Male	-55 ~ +85
5o00131801218SK	12.0 ~ 18.0	18	1.3	0.5	SMA Female	-55 ~ +85
5o00131801375145SK	13.75 ~ 14.5	23	1.2	0.3	SMA Female	-55 ~ +85
5o0013180138178SK	13.8 ~ 17.8	18	1.3	0.5	SMA Female	-55 ~ +85
5o0013180155165SK	15.5 ~ 16.5	23	1.2	0.3	SMA Female	-55 ~ +85
5o00131801618SK	16.0 ~ 18.0	20	1.25	0.5	SMA Female	-55 ~ +85
5o00131801820SK	18.0 ~ 20.0	20	1.25	0.5	SMA Female	-55 ~ +85
5o00131801822SK	18.0 ~ 22.0	18	1.3	0.6	SMA Female	-40 ~ +85
5o00131802123SK	21.0 ~ 23.0	20	1.25	0.5	SMA Female	-40 ~ +85
5o00131802224SK	22.0 ~ 24.0	20	1.25	0.5	SMA Female	-40 ~ +85
5o00131802325SK	23.0 ~ 25.0	20	1.25	0.5	SMA Female	-40 ~ +85
5o00131802426KK	24.0 ~ 26.0	20	1.25	0.5	2.92mm Female	-40 ~ +85
5o00131802425275KK	24.25 ~ 27.5	18	1.3	0.6	2.92mm Female	-40 ~ +85
5o00131802527KK	25.0 ~ 27.0	20	1.25	0.5	2.92mm Female	-40 ~ +85

Basic Specifications

Dimension	13*18*13.8mm
Forward Power	60W
Reverse Power	5W
Connector Type	2.92mm(Male/Female), SMA(Male/Female)
Storage Temperature	-55°C~+125°C
Impedance	50Ω

Overall Dimension(mm)



Instructions

Tolerances: $\pm 2\%$ unless otherwise stated.

- u It can be dual junction or multiple for high isolation.
- u The connector can be selected according to requirements, Connect type (SMA Male/Female, 2.92mm Male/Female, etc.)
- u Only some common frequencies in the table can be produced according to the user's requirements.
- u It supports a one-year standard warranty.